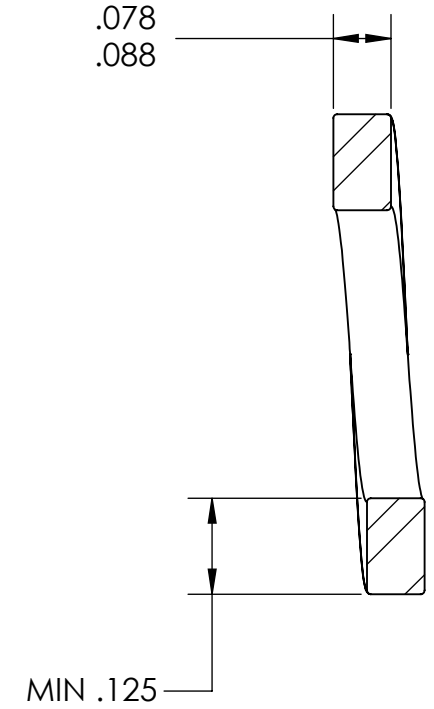
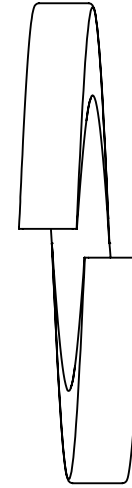
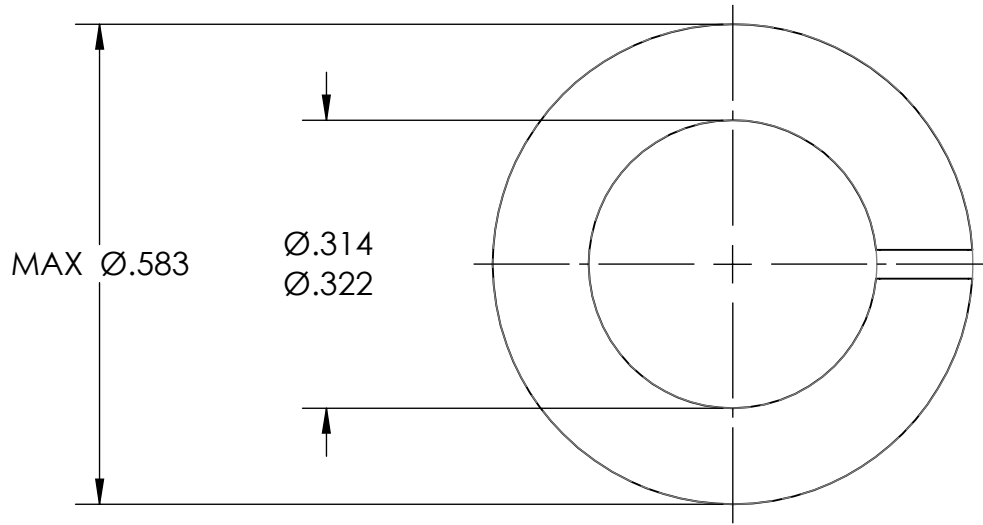


REFERENCE SEASTROM WORKMANSHIP STD. 8.4.1.W2



NOTES
 1. NONE

2. SCREW SIZE: 5/16

PROPRIETARY AND CONFIDENTIAL
 THE INFORMATION CONTAINED IN THIS DRAWING IS THE SOLE PROPERTY OF SEASTROM MANUFACTURING. ANY REPRODUCTION IN PART OR AS A WHOLE WITHOUT THE WRITTEN PERMISSION OF SEASTROM MANUFACTURING IS PROHIBITED.

DIMENSIONS ARE IN INCHES TOLERANCES: FRACTIONAL $\pm 1/32$ ANGULAR: MACH $\pm 1/2$ Deg TWO PLACE DECIMAL $\pm .01$ THREE PLACE DECIMAL $\pm .005$	NAME	DATE	SEASTROM MFG	
	DRAWN			
	CHECKED		SPRING LOCKWASHER	
	ENG APPR.			
	MFG APPR.		Q.A.	
MATERIAL HIGH CARBON SPRING STEEL	COMMENTS:		SIZE A	DWG. NO. 5850-20
FINISH SEE NOTE 1			REV. -	
DRAWING IS NOT TO SCALE			SHEET 1 OF 1	