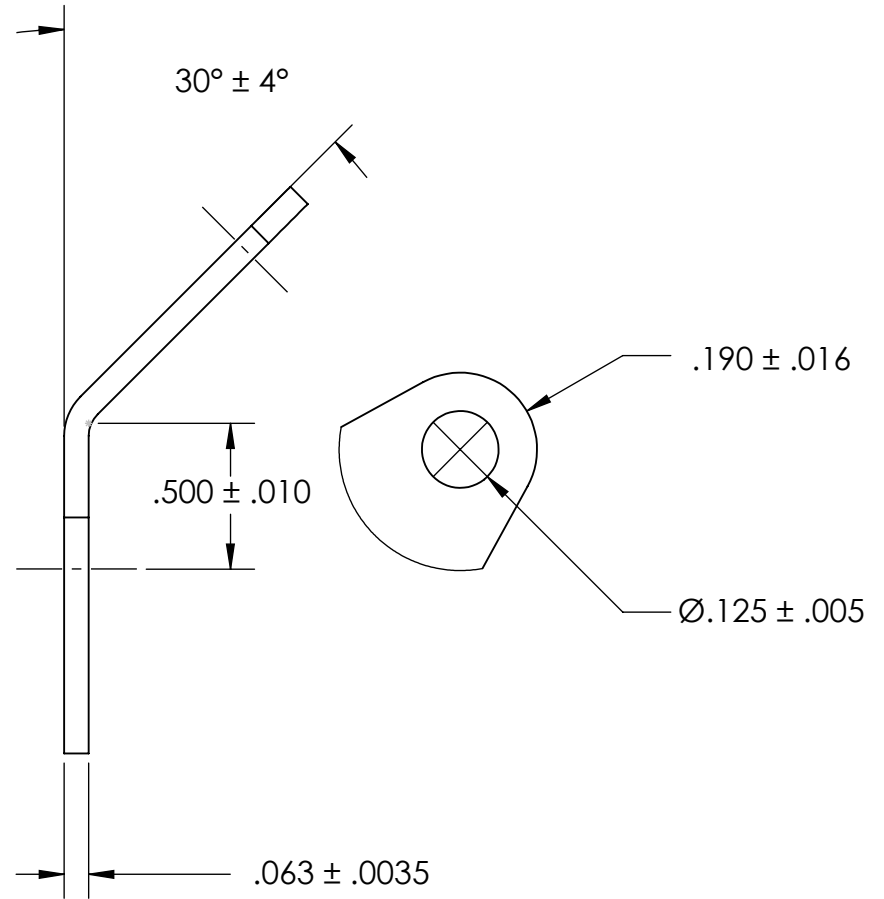
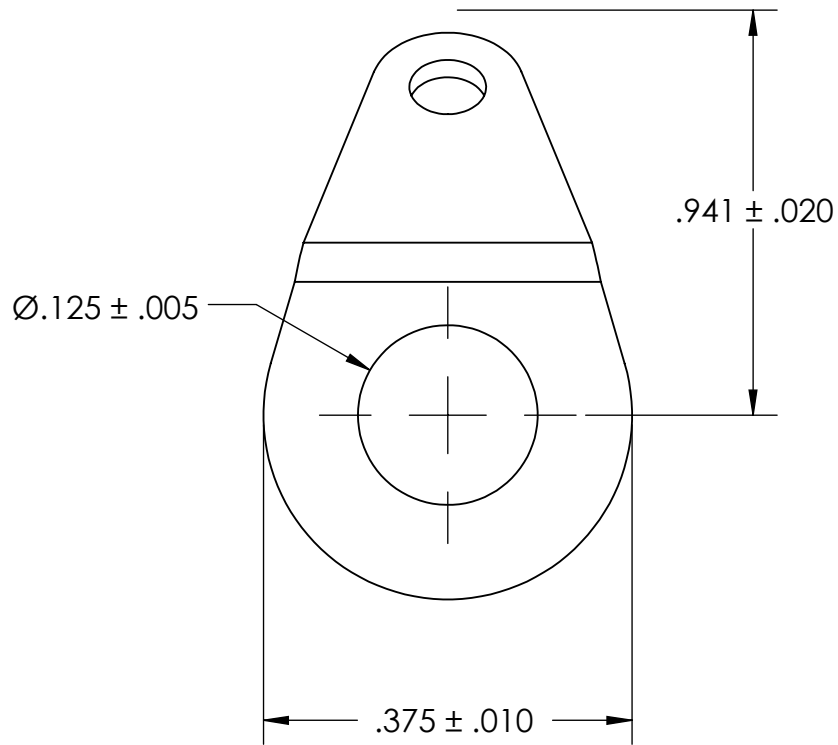


REFERENCE SEASTROM WORKMANSHIP STD. 8.4.1.W2



NOTES:
1. NONE

PROPRIETARY AND CONFIDENTIAL
THE INFORMATION CONTAINED IN THIS DRAWING IS THE SOLE PROPERTY OF SEASTROM MANUFACTURING. ANY REPRODUCTION IN PART OR AS A WHOLE WITHOUT THE WRITTEN PERMISSION OF SEASTROM MANUFACTURING IS PROHIBITED.

| | | | |
|--|-----------|----------|------------------|
| DIMENSIONS ARE IN INCHES TOLERANCES: FRACTIONAL $\pm 1/32$ ANGULAR: MACH $\pm 1/2$ Deg TWO PLACE DECIMAL $\pm .01$ THREE PLACE DECIMAL $\pm .005$ | NAME | DATE | SEASTROM MFG |
| | DRAWN | | |
| | CHECKED | | RETAINING WASHER |
| | ENG APPR. | | |
| | MFG APPR. | | |
| MATERIAL | COMMENTS: | | |
| ALUMINUM | | | |
| FINISH | | | |
| SEE NOTE 1 | | | |
| DRAWING IS NOT TO SCALE | | | |
| | SIZE | DWG. NO. | REV. |
| | A | 5759-7 | - |
| | | | SHEET 1 OF 1 |