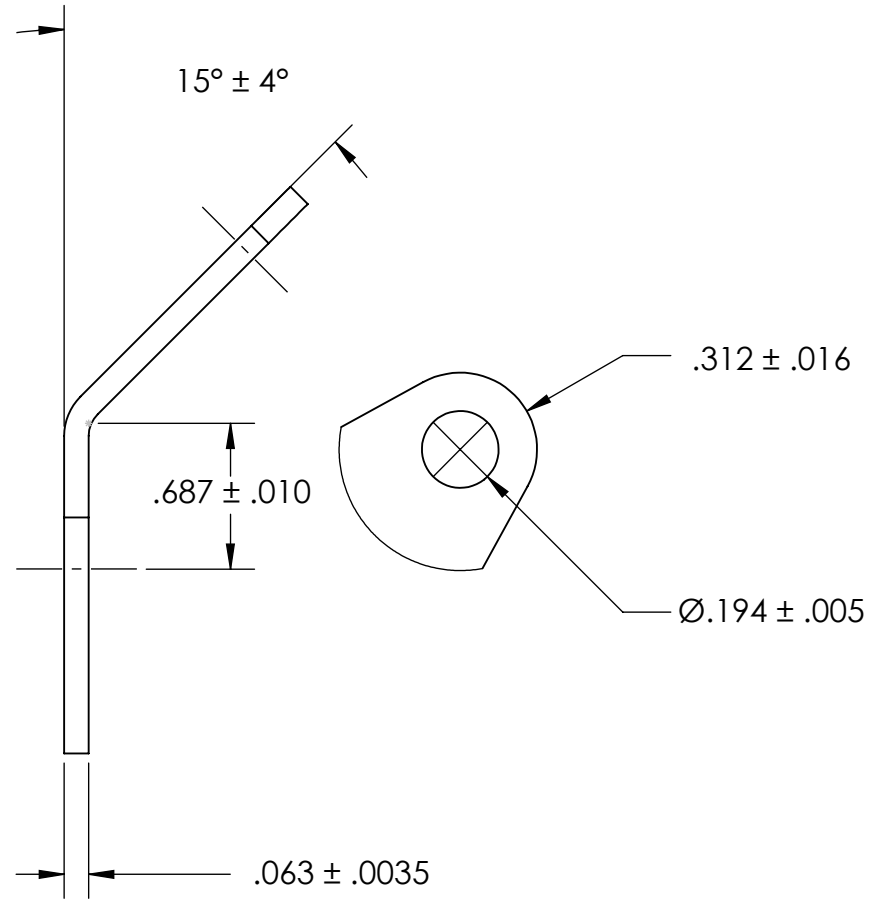
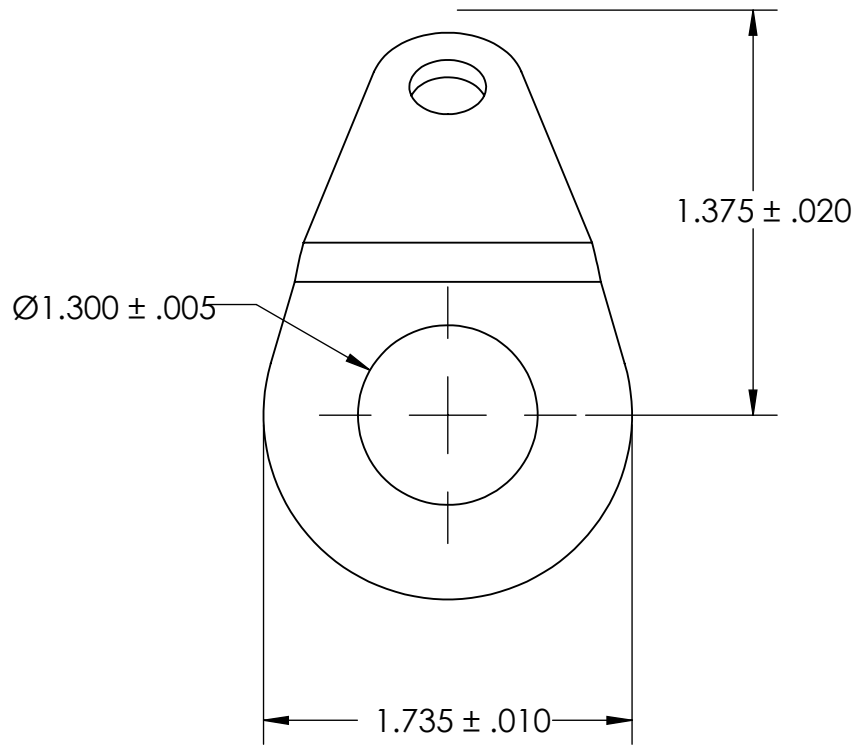


REFERENCE SEASTROM WORKMANSHIP STD. 8.4.1.W2



NOTES:  
1. NONE

**PROPRIETARY AND CONFIDENTIAL**  
THE INFORMATION CONTAINED IN THIS DRAWING IS THE SOLE PROPERTY OF SEASTROM MANUFACTURING. ANY REPRODUCTION IN PART OR AS A WHOLE WITHOUT THE WRITTEN PERMISSION OF SEASTROM MANUFACTURING IS PROHIBITED.

DIMENSIONS ARE IN INCHES TOLERANCES: FRACTIONAL ± 1/32 ANGULAR: MACH ± 1/2 Deg TWO PLACE DECIMAL ± .01 THREE PLACE DECIMAL ± .005	NAME	DATE	<b>SEASTROM MFG</b>  <b>RETAINING WASHER</b>
	DRAWN		
	CHECKED		
	ENG APPR.		
	MFG APPR.		
MATERIAL	COMMENTS:		SIZE <b>A</b> DWG. NO. <b>5759-32</b>
ALUMINUM			
FINISH			REV.
SEE NOTE 1			-
DRAWING IS NOT TO SCALE			SHEET 1 OF 1