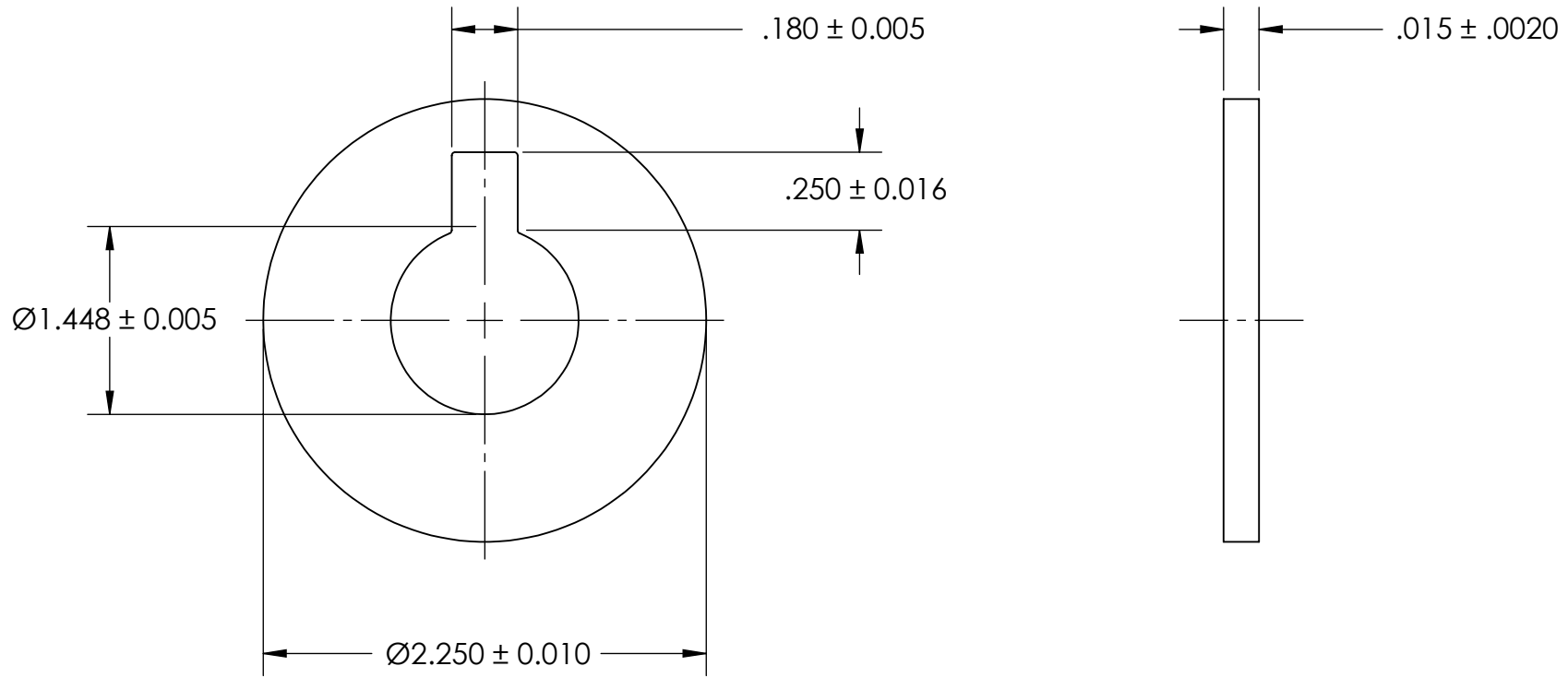


REFERENCE SEASTROM WORKMANSHIP STD. 8.4.1.W2



NOTES:

1. NONE

**PROPRIETARY AND CONFIDENTIAL**

THE INFORMATION CONTAINED IN THIS DRAWING IS THE SOLE PROPERTY OF SEASTROM MANUFACTURING. ANY REPRODUCTION IN PART OR AS A WHOLE WITHOUT THE WRITTEN PERMISSION OF SEASTROM MANUFACTURING IS PROHIBITED.

DIMENSIONS ARE IN INCHES TOLERANCES: FRACTIONAL $\pm 1/32$ ANGULAR: MACH $\pm 1/2$ Deg TWO PLACE DECIMAL $\pm .01$ THREE PLACE DECIMAL $\pm .005$		NAME	DATE	<b>SEASTROM MFG</b>  INTERNAL NOTCH WASHER	
		DRAWN			
MATERIAL COLD ROLLED STEEL		CHECKED		SIZE <b>A</b> DWG. NO. <b>5750-28</b> REV. <b>-</b>	
		ENG APPR.			
FINISH SEE NOTE 1		MFG APPR.		COMMENTS:	
		Q.A.			
DRAWING IS NOT TO SCALE				SHEET 1 OF 1	