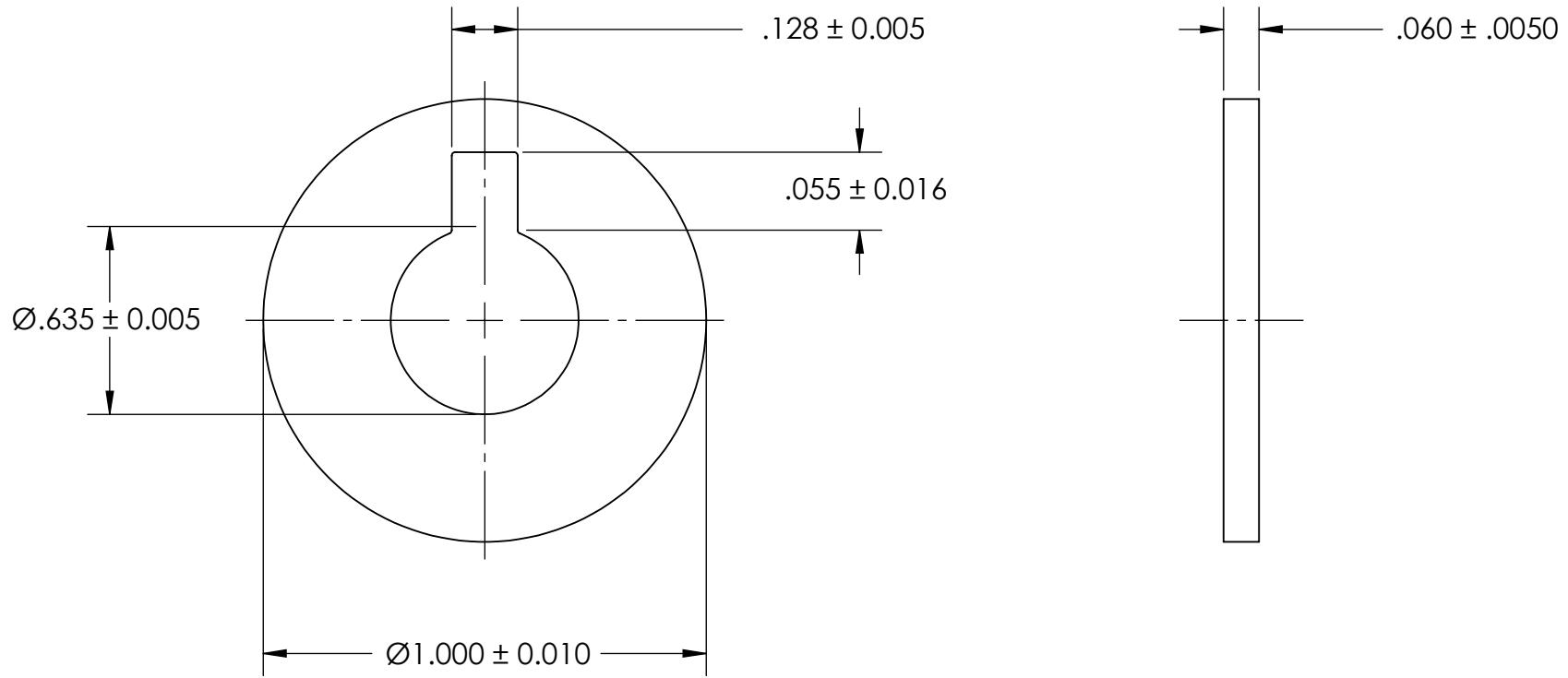


REFERENCE SEASTROM WORKMANSHIP STD. 8.4.1.W2



NOTES:

1. NONE

PROPRIETARY AND CONFIDENTIAL

THE INFORMATION CONTAINED IN THIS DRAWING IS THE SOLE PROPERTY OF SEASTROM MANUFACTURING. ANY REPRODUCTION IN PART OR AS A WHOLE WITHOUT THE WRITTEN PERMISSION OF SEASTROM MANUFACTURING IS PROHIBITED.

DIMENSIONS ARE IN INCHES TOLERANCES: FRACTIONAL $\pm 1/32$ ANGULAR: MACH $\pm 1/2$ Deg TWO PLACE DECIMAL $\pm .01$ THREE PLACE DECIMAL $\pm .005$		NAME	DATE	SEASTROM MFG INTERNAL NOTCH WASHER	
		DRAWN CHECKED ENG APPR. MFG APPR. Q.A. COMMENTS:			
MATERIAL	FINISH	SIZE		DWG. NO.	REV.
COLD ROLLED STEEL	SEE NOTE 1	A		5750-1	-
DRAWING IS NOT TO SCALE					SHEET 1 OF 1