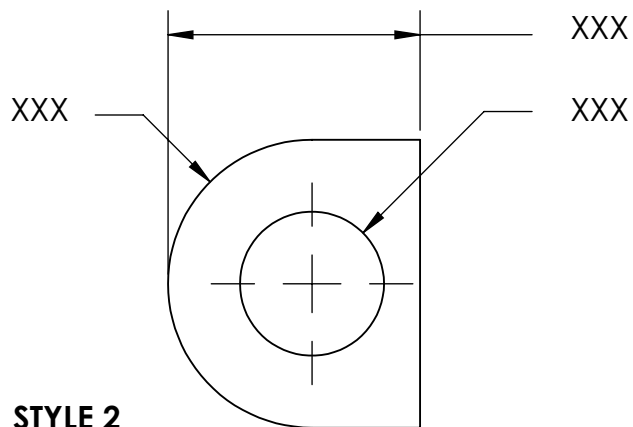
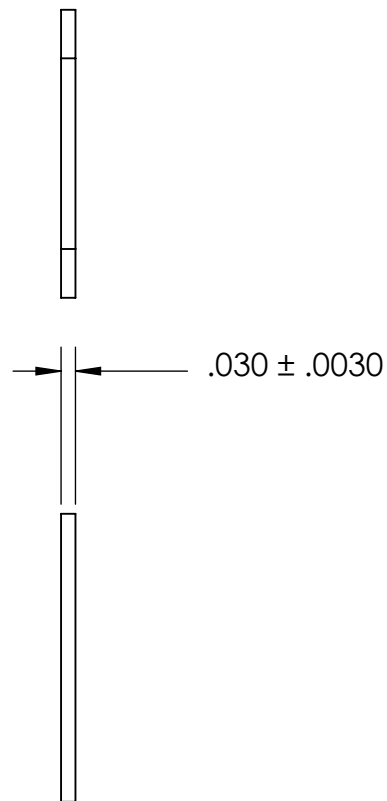


STYLE 1



STYLE 2



NOTES:

1. ZINC PLATE PER ASTM B633, SC1, TYPE III or V, Clear
2. STYLE 1
3. DIMENSIONS APPLY PRIOR TO PLATING.

PROPRIETARY AND CONFIDENTIAL
 THE INFORMATION CONTAINED IN THIS DRAWING IS THE SOLE PROPERTY OF SEASTROM MANUFACTURING. ANY REPRODUCTION IN PART OR AS A WHOLE WITHOUT THE WRITTEN PERMISSION OF SEASTROM MANUFACTURING IS PROHIBITED.

DIMENSIONS ARE IN INCHES TOLERANCES: FRACTIONAL ± 1/32 ANGULAR: MACH ± 1/2 Deg TWO PLACE DECIMAL ± .01 THREE PLACE DECIMAL ± .005		NAME	DATE	SEASTROM MFG
MATERIAL	FINISH	Q.A.	COMMENTS:	
COLD ROLLED STEEL	SEE NOTE 1			SIZE A DWG. NO. 5734-8-Z3 REV. -
DRAWING IS NOT TO SCALE				SHEET 1 OF 1