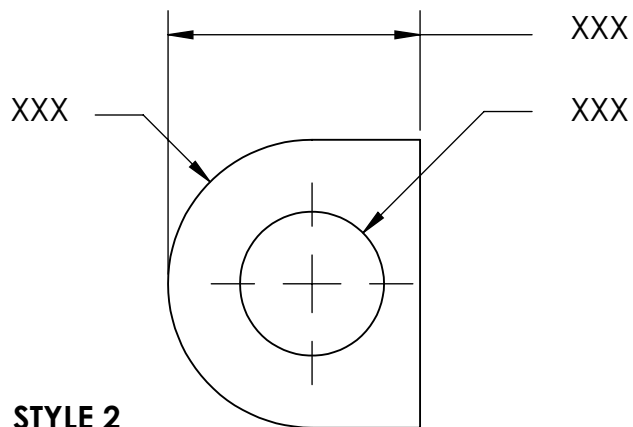
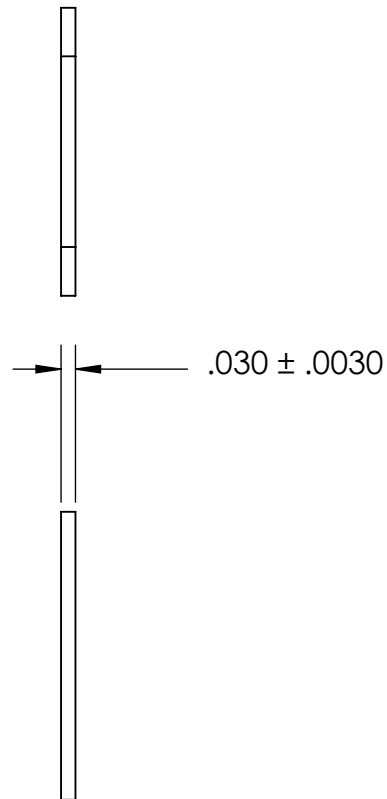


STYLE 1



STYLE 2



NOTES:

1. NONE
2. STYLE 1

PROPRIETARY AND CONFIDENTIAL
 THE INFORMATION CONTAINED IN THIS DRAWING IS THE SOLE PROPERTY OF SEASTROM MANUFACTURING. ANY REPRODUCTION IN PART OR AS A WHOLE WITHOUT THE WRITTEN PERMISSION OF SEASTROM MANUFACTURING IS PROHIBITED.

DIMENSIONS ARE IN INCHES TOLERANCES: FRACTIONAL $\pm 1/32$ ANGULAR: MACH $\pm 1/2$ Deg TWO PLACE DECIMAL $\pm .01$ THREE PLACE DECIMAL $\pm .005$		NAME	DATE	SEASTROM MFG	
MATERIAL COLD ROLLED STEEL		DRAWN			
FINISH SEE NOTE 1		CHECKED		REV. -	
DRAWING IS NOT TO SCALE		ENG APPR.			
		MFG APPR.		SHEET 1 OF 1	
		Q.A.			
		COMMENTS:			