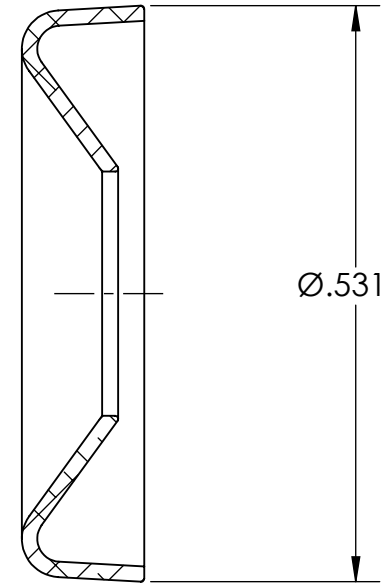
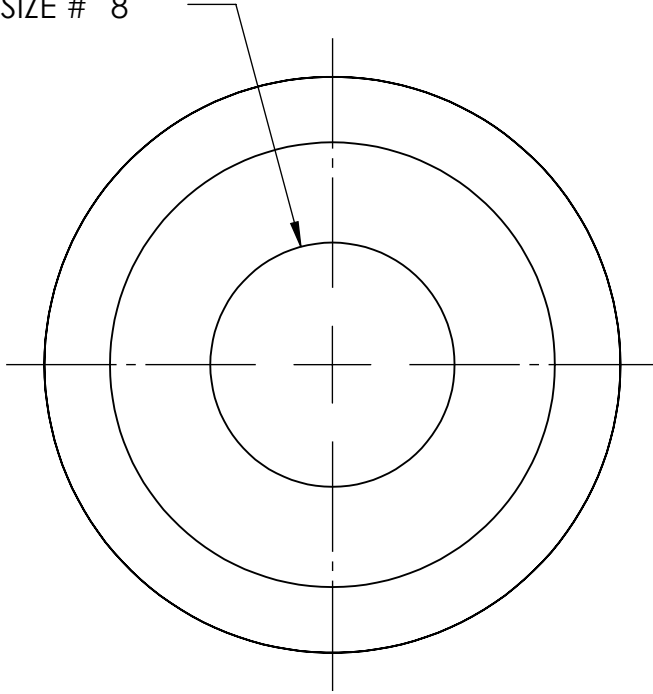


SCREW SIZE # 8



NOTES:

- 1. NONE

**PROPRIETARY AND CONFIDENTIAL**  
 THE INFORMATION CONTAINED IN THIS DRAWING IS THE SOLE PROPERTY OF SEASTROM MANUFACTURING. ANY REPRODUCTION IN PART OR AS A WHOLE WITHOUT THE WRITTEN PERMISSION OF SEASTROM MANUFACTURING IS PROHIBITED.

DIMENSIONS ARE IN INCHES TOLERANCES: FRACTIONAL $\pm 1/32$ ANGULAR: MACH $\pm 1/2$ Deg TWO PLACE DECIMAL $\pm .01$ THREE PLACE DECIMAL $\pm .005$		NAME	DATE	<b>SEASTROM MFG</b>	
MATERIAL	300 SERIES STAINLESS	DRAWN			
FINISH	SEE NOTE 1	CHECKED		SIZE	DWG. NO.
DRAWING IS NOT TO SCALE		ENG APPR.		<b>A</b>	<b>5725-8-SS</b>
		MFG APPR.		REV.	-
		Q.A.		SHEET 1 OF 1	
		COMMENTS:			