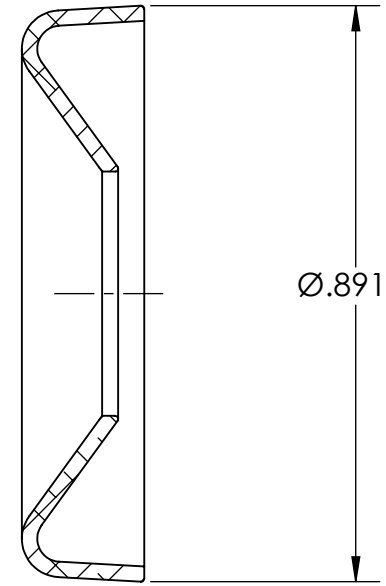
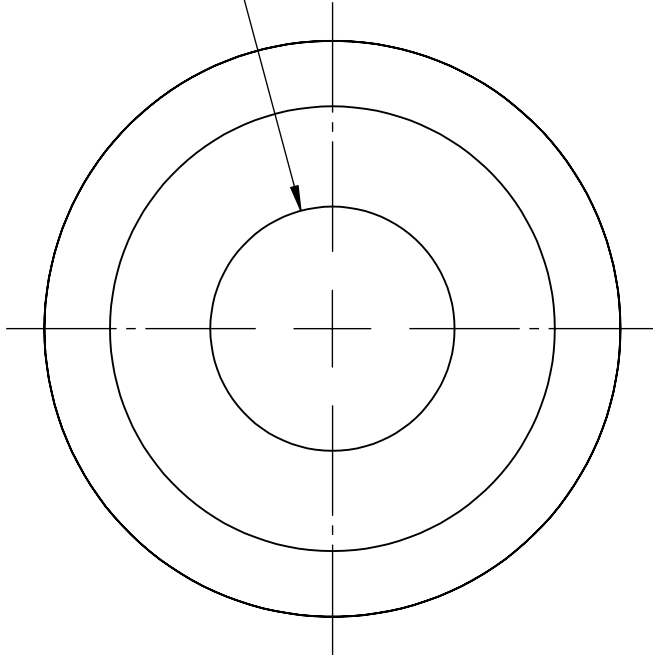


SCREW SIZE # 5/16



NOTES:

- 1. NONE

PROPRIETARY AND CONFIDENTIAL
 THE INFORMATION CONTAINED IN THIS DRAWING IS THE SOLE PROPERTY OF SEASTROM MANUFACTURING. ANY REPRODUCTION IN PART OR AS A WHOLE WITHOUT THE WRITTEN PERMISSION OF SEASTROM MANUFACTURING IS PROHIBITED.

| | | | | |
|------------------------------------------------------------------------------------------------------------------------------------------------------------------|------------|-----------|--------------|--------------|
| DIMENSIONS ARE IN INCHES TOLERANCES: FRACTIONAL $\pm 1/32$ ANGULAR: MACH $\pm 1/2$ Deg TWO PLACE DECIMAL $\pm .01$ THREE PLACE DECIMAL $\pm .005$ | | NAME | DATE | SEASTROM MFG |
| MATERIAL | FINISH | DRAWN | CHECKED | |
| 300 SERIES STAINLESS | SEE NOTE 1 | ENG APPR. | MFG APPR. | |
| DRAWING IS NOT TO SCALE | | Q.A. | COMMENTS: | |
| SIZE | DWG. NO. | REV. | | |
| A | 5725-15-SS | - | SHEET 1 OF 1 | |