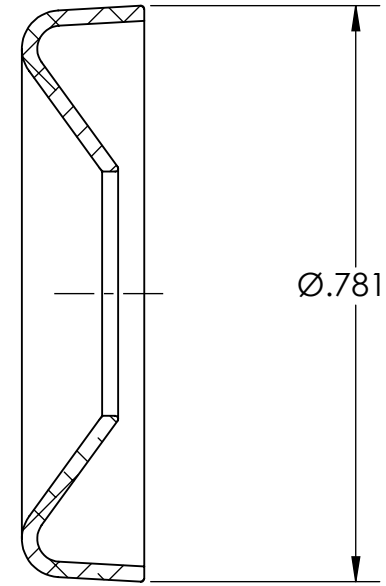
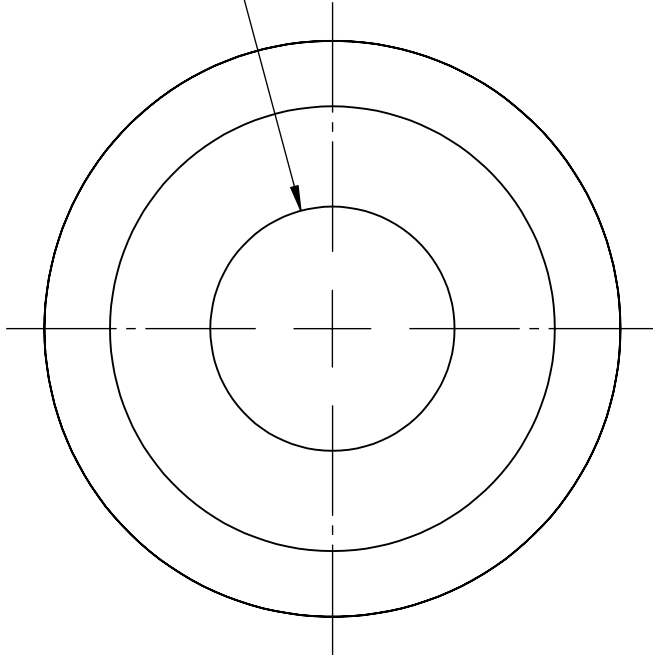


SCREW SIZE # 1/4



NOTES:

- 1. NONE

**PROPRIETARY AND CONFIDENTIAL**  
 THE INFORMATION CONTAINED IN THIS DRAWING IS THE SOLE PROPERTY OF SEASTROM MANUFACTURING. ANY REPRODUCTION IN PART OR AS A WHOLE WITHOUT THE WRITTEN PERMISSION OF SEASTROM MANUFACTURING IS PROHIBITED.

DIMENSIONS ARE IN INCHES TOLERANCES: FRACTIONAL ± 1/32 ANGULAR: MACH ± 1/2 Deg TWO PLACE DECIMAL ± .01 THREE PLACE DECIMAL ± .005		NAME	DATE	<b>SEASTROM MFG</b>
MATERIAL	300 SERIES STAINLESS			
FINISH	SEE NOTE 1	Q.A.		SIZE
DRAWING IS NOT TO SCALE		COMMENTS:		DWG. NO.
				<b>A</b> <b>5725-14-SS</b>
				REV.
				-
				SHEET 1 OF 1