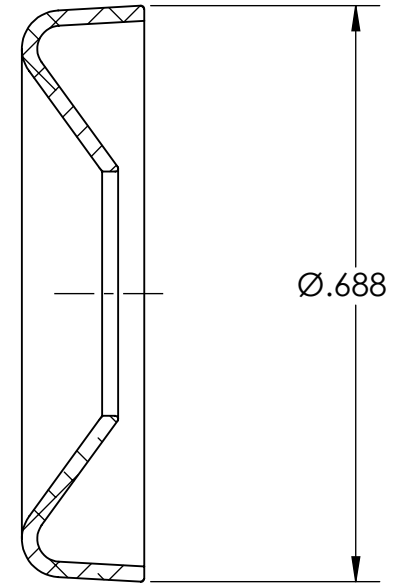
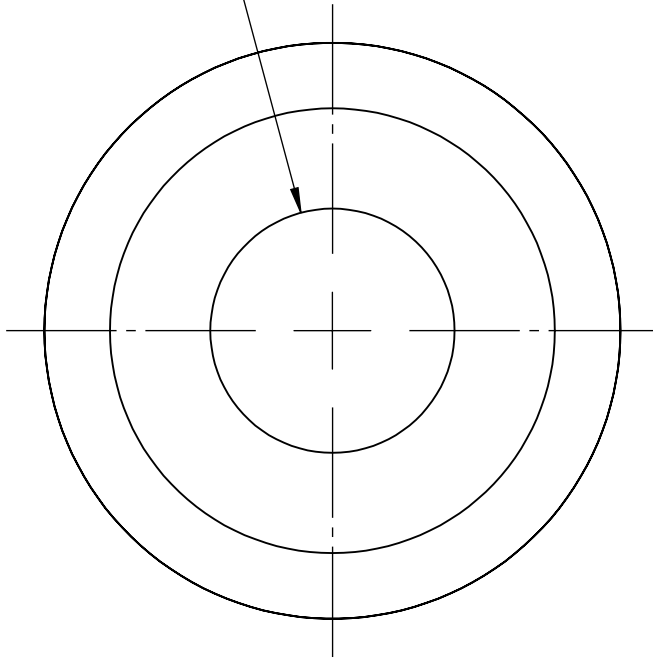


SCREW SIZE # 12



NOTES:

- 1. NONE

**PROPRIETARY AND CONFIDENTIAL**  
 THE INFORMATION CONTAINED IN THIS DRAWING IS THE SOLE PROPERTY OF SEASTROM MANUFACTURING. ANY REPRODUCTION IN PART OR AS A WHOLE WITHOUT THE WRITTEN PERMISSION OF SEASTROM MANUFACTURING IS PROHIBITED.

DIMENSIONS ARE IN INCHES TOLERANCES: FRACTIONAL $\pm 1/32$ ANGULAR: MACH $\pm 1/2$ Deg TWO PLACE DECIMAL $\pm .01$ THREE PLACE DECIMAL $\pm .005$		NAME	DATE	<b>SEASTROM MFG</b>
MATERIAL	300 SERIES STAINLESS	DRAWN	CHECKED	
FINISH	SEE NOTE 1	ENG APPR.	MFG APPR.	SIZE <b>A</b> DWG. NO. <b>5725-12-SS</b> REV. <b>-</b>
DRAWING IS NOT TO SCALE		Q.A.	COMMENTS:	