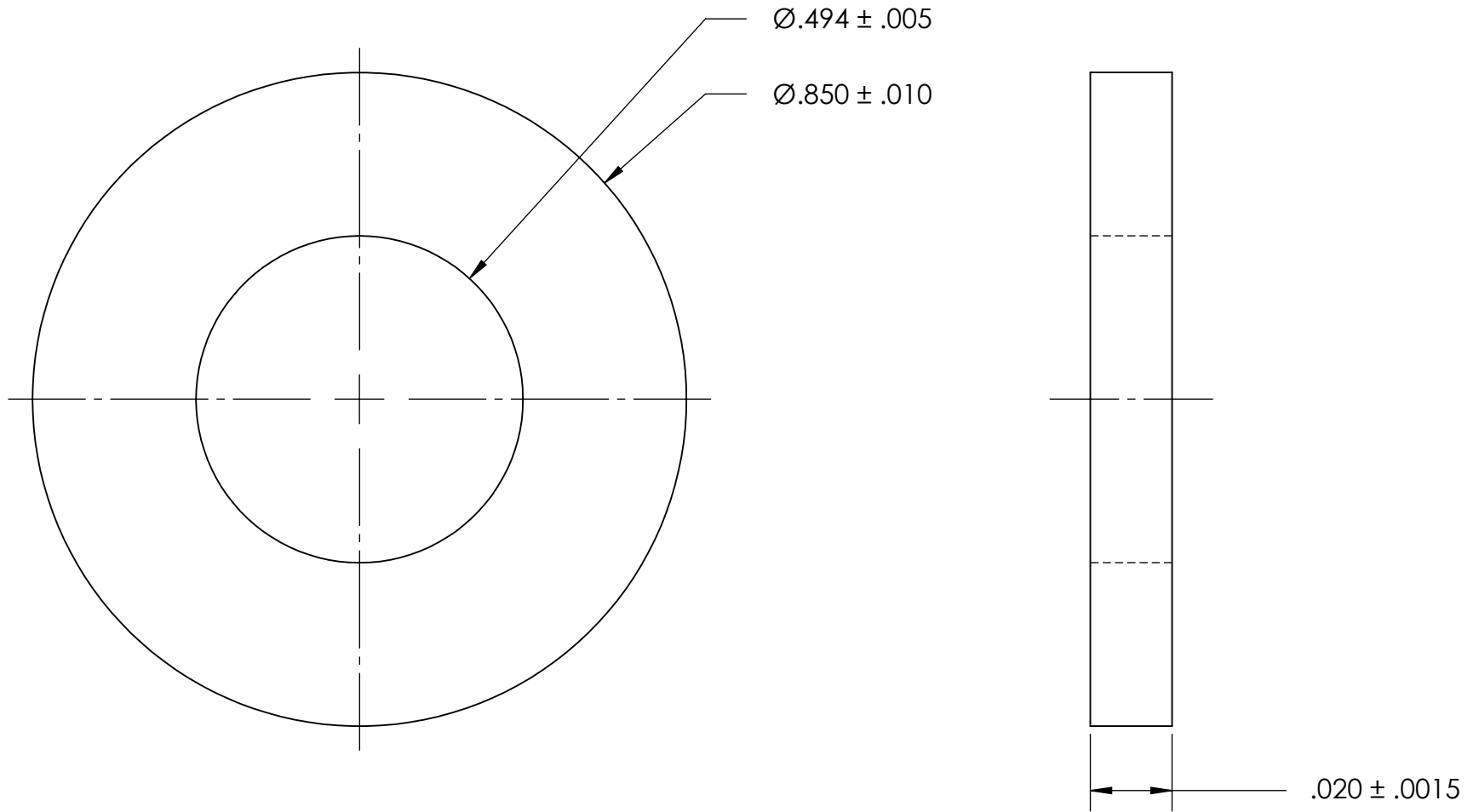


REFERENCE SEASTROM WORKMANSHIP STD. 8.4.1.W2



NOTES
1. NONE

PROPRIETARY AND CONFIDENTIAL
THE INFORMATION CONTAINED IN THIS DRAWING IS THE SOLE PROPERTY OF SEASTROM MANUFACTURING. ANY REPRODUCTION IN PART OR AS A WHOLE WITHOUT THE WRITTEN PERMISSION OF SEASTROM MANUFACTURING IS PROHIBITED.

DIMENSIONS ARE IN INCHES TOLERANCES: FRACTIONAL $\pm 1/32$ ANGULAR: MACH $\pm 1/2$ Deg TWO PLACE DECIMAL $\pm .01$ THREE PLACE DECIMAL $\pm .005$		NAME	DATE	SEASTROM MFG FLAT ROUND WASHER
	DRAWN			
	CHECKED			
	ENG APPR.			
	MFG APPR.			
	Q.A.			
MATERIAL BERYLLIUM COPPER	COMMENTS:			
FINISH SEE NOTE 1	SIZE A	DWG. NO. 5718-69-20	REV. -	
DRAWING IS NOT TO SCALE	SHEET 1 OF 1			