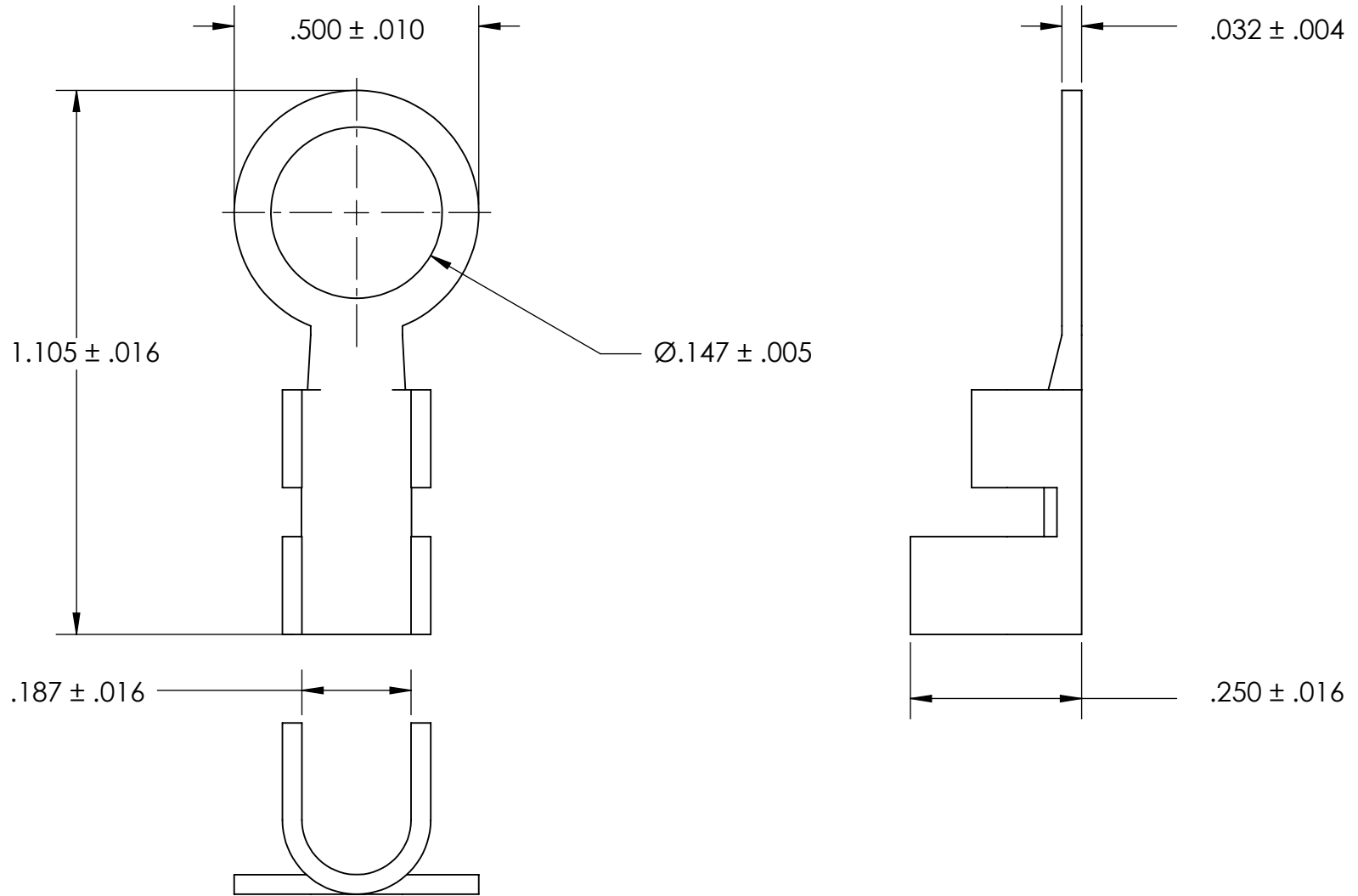


REFERENCE SEASTROM WORKMANSHIP STD. 8.4.1.W2



**NOTES**

1. BRIGHT TIN PLATE PER ASTM B545, CLASS B
2. SCREW SIZE: 6
3. DIMENSIONS APPLY PRIOR TO PLATING.

**PROPRIETARY AND CONFIDENTIAL**  
 THE INFORMATION CONTAINED IN THIS DRAWING IS THE SOLE PROPERTY OF SEASTROM MANUFACTURING. ANY REPRODUCTION IN PART OR AS A WHOLE WITHOUT THE WRITTEN PERMISSION OF SEASTROM MANUFACTURING IS PROHIBITED.

DIMENSIONS ARE IN INCHES TOLERANCES: FRACTIONAL $\pm 1/32$ ANGULAR: MACH $\pm 1/2$ Deg TWO PLACE DECIMAL $\pm .01$ THREE PLACE DECIMAL $\pm .005$	NAME	DATE	SEASTROM MFG	
	DRAWN			
	CHECKED		SOLDER LUG	
	ENG APPR.			
	MFG APPR.			
MATERIAL	COMMENTS:		Q.A.	
FINISH			SIZE	DWG. NO.
SEE NOTE 1			A	5454-5B
DRAWING IS NOT TO SCALE			REV.	-
			SHEET 1 OF 1	