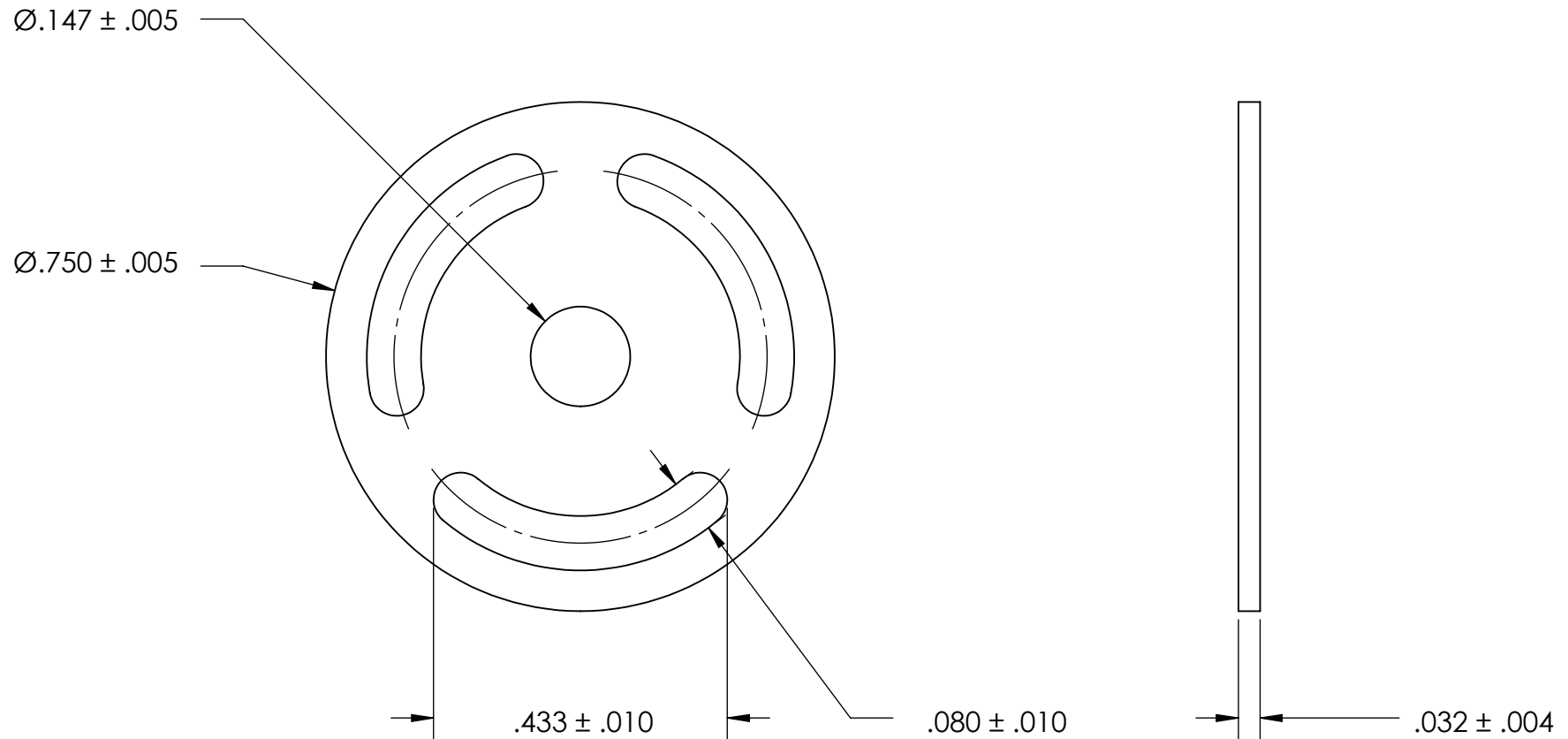


REFERENCE SEASTROM WORKMANSHIP STD. 8.4.1.W2



NOTES:

1. BRIGHT TIN PLATE PER ASTM B545, CLASS B
2. SCREW SIZE: 6
3. DIMENSIONS APPLY PRIOR TO PLATING.

PROPRIETARY AND CONFIDENTIAL
 THE INFORMATION CONTAINED IN THIS DRAWING IS THE SOLE PROPERTY OF SEASTROM MANUFACTURING. ANY REPRODUCTION IN PART OR AS A WHOLE WITHOUT THE WRITTEN PERMISSION OF SEASTROM MANUFACTURING IS PROHIBITED.

DIMENSIONS ARE IN INCHES TOLERANCES: FRACTIONAL $\pm 1/32$ ANGULAR: MACH $\pm 1/2$ Deg TWO PLACE DECIMAL $\pm .01$ THREE PLACE DECIMAL $\pm .005$		NAME	DATE	SEASTROM MFG	
MATERIAL BRASS	FINISH SEE NOTE 1	DRAWN	CHECKED		
DRAWING IS NOT TO SCALE		ENG APPR.	MFG APPR.	REV. -	
		Q.A.	COMMENTS:	SIZE A	DWG. NO. 5440-1
				SHEET 1 OF 1	