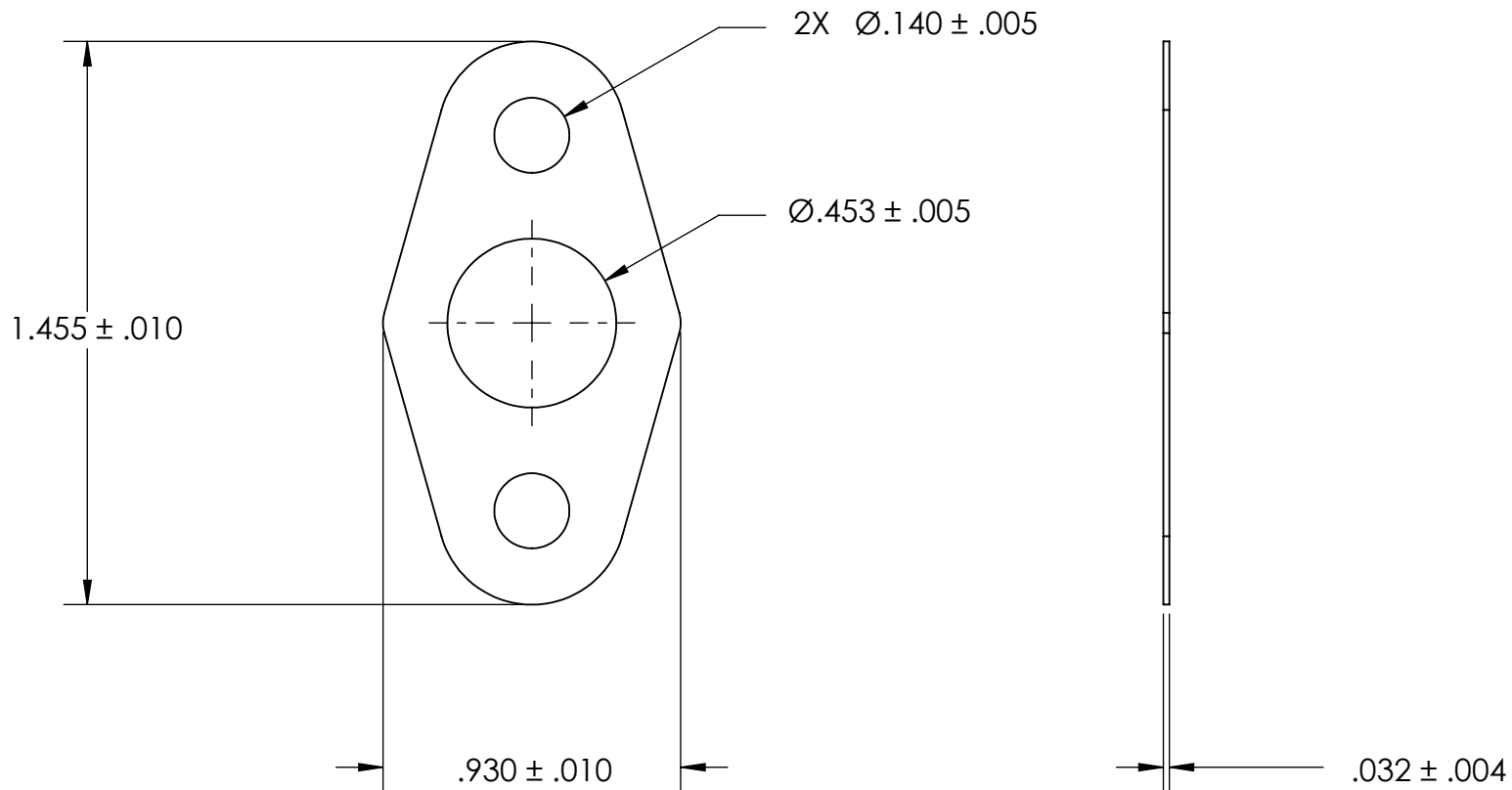


REFERENCE SEASTROM WORKMANSHIP STD. 8.4.1.W2



NOTES:

1. BRIGHT TIN PLATE PER ASTM B545, CLASS B
2. FLAT
3. SCREW SIZE: 7/16
4. DIMENSIONS APPLY PRIOR TO PLATING.

**PROPRIETARY AND CONFIDENTIAL**  
 THE INFORMATION CONTAINED IN THIS DRAWING IS THE SOLE PROPERTY OF SEASTROM MANUFACTURING. ANY REPRODUCTION IN PART OR AS A WHOLE WITHOUT THE WRITTEN PERMISSION OF SEASTROM MANUFACTURING IS PROHIBITED.

DIMENSIONS ARE IN INCHES TOLERANCES: FRACTIONAL ± 1/32 ANGULAR: MACH ± 1/2 Deg TWO PLACE DECIMAL ± .01 THREE PLACE DECIMAL ± .005	NAME	DATE	SEASTROM MFG		
	DRAWN				
	CHECKED		SOLDER LUG		
	ENG APPR.				
	MFG APPR.				
Q.A.			SIZE	DWG. NO.	REV.
COMMENTS:			<b>A</b>	<b>5404-4</b>	-
MATERIAL	DRAWING IS NOT TO SCALE		SHEET 1 OF 1		
BRASS					
FINISH					
SEE NOTE 1					