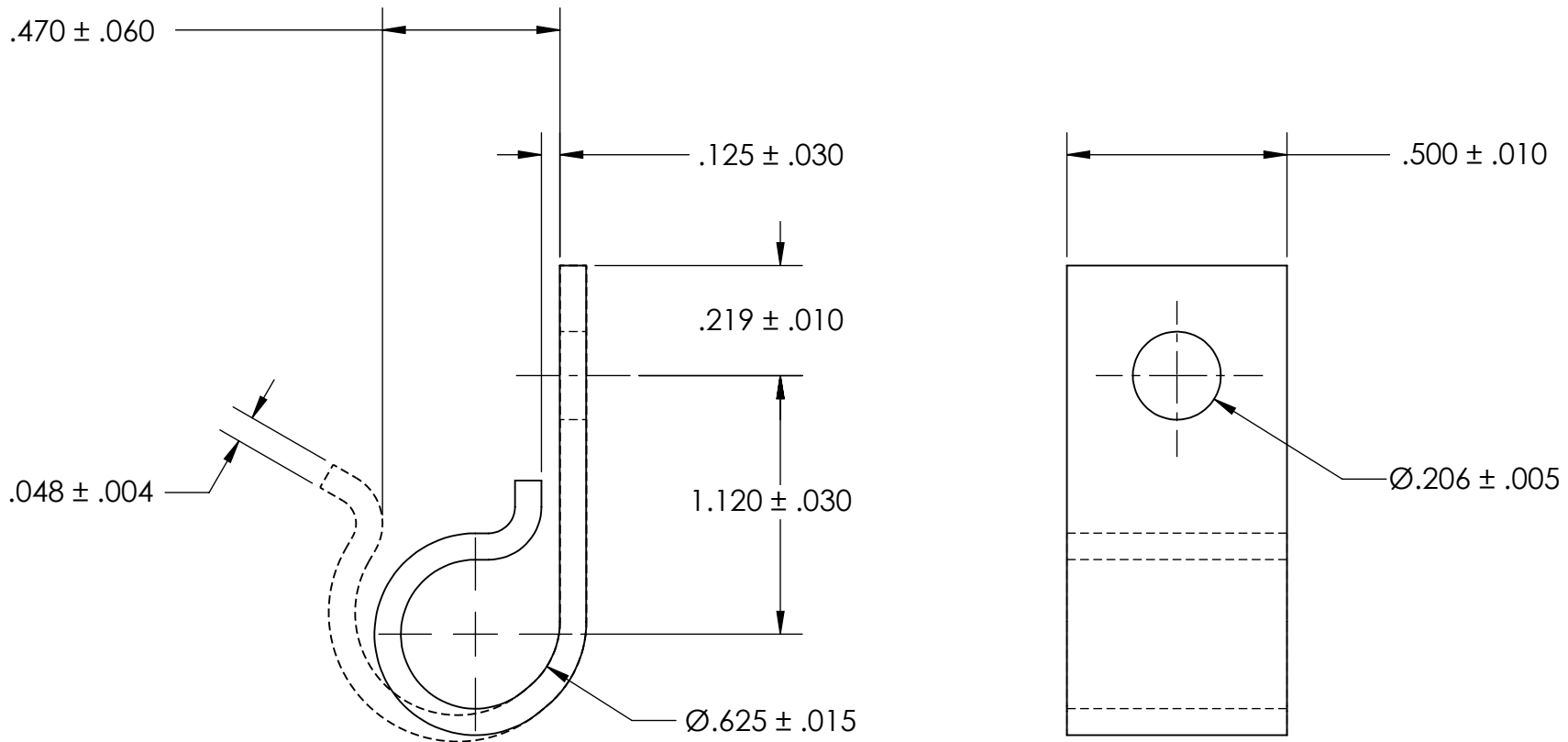


REFERENCE SEASTROM WORKMANSHIP STD. 8.4.1.W2



NOTES

1. ZINC PLATE PER ASTM B633, SC1, TYPE III or V, Clear
2. DIMENSIONS APPLY PRIOR TO PLATING.

**PROPRIETARY AND CONFIDENTIAL**

THE INFORMATION CONTAINED IN THIS DRAWING IS THE SOLE PROPERTY OF SEASTROM MANUFACTURING. ANY REPRODUCTION IN PART OR AS A WHOLE WITHOUT THE WRITTEN PERMISSION OF SEASTROM MANUFACTURING IS PROHIBITED.

DIMENSIONS ARE IN INCHES TOLERANCES: FRACTIONAL $\pm 1/32$ ANGULAR: MACH $\pm 1/2$ Deg TWO PLACE DECIMAL $\pm .01$ THREE PLACE DECIMAL $\pm .005$		NAME	DATE	<b>SEASTROM MFG</b>  <b>J CLIP</b>
	DRAWN			
	CHECKED			
	ENG APPR.			
	MFG APPR.			
MATERIAL COLD ROLLED STEEL	Q.A.			SIZE DWG. NO. REV. <b>A 5318-62-2 -</b>
FINISH SEE NOTE 1	COMMENTS:			
DRAWING IS NOT TO SCALE				SHEET 1 OF 1