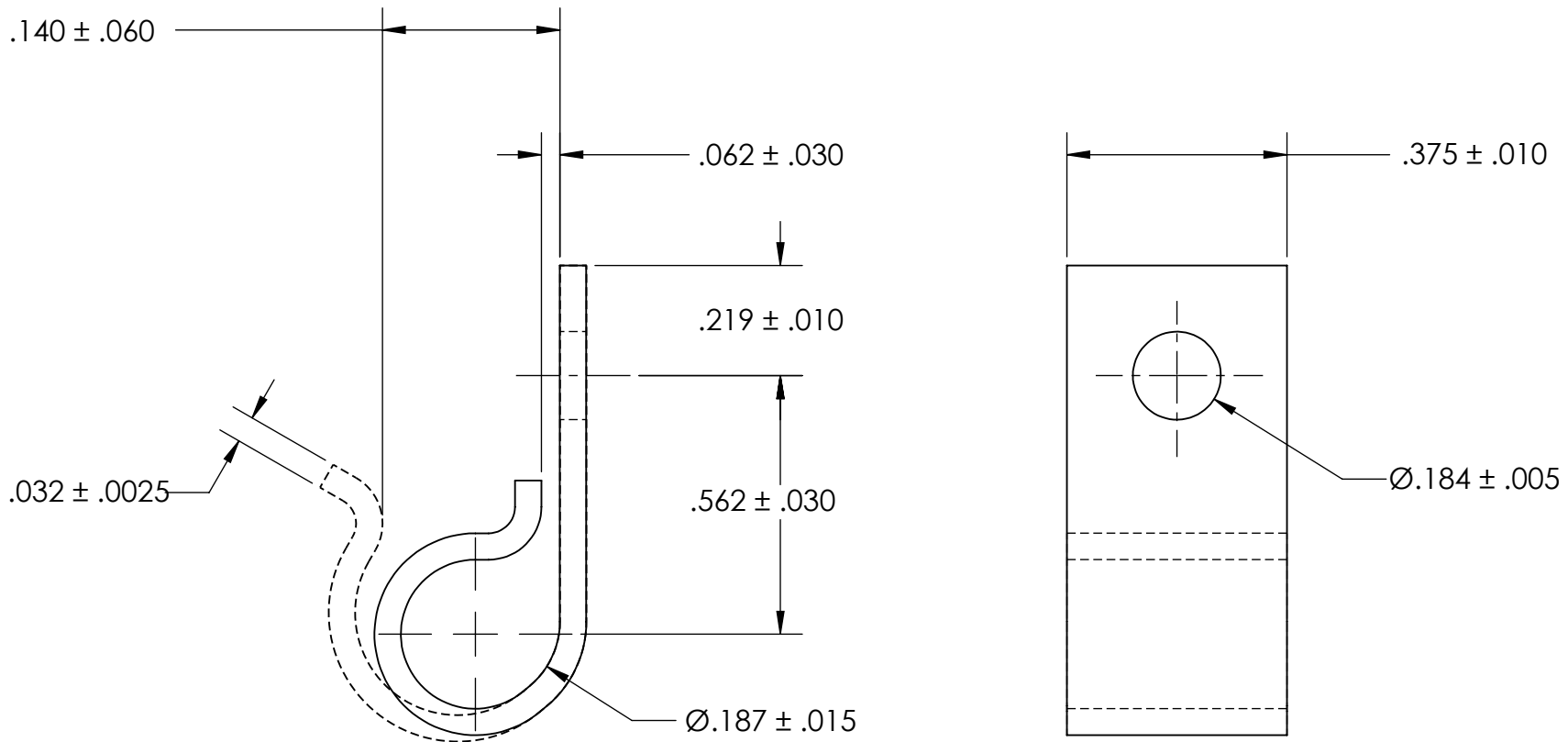


REFERENCE SEASTROM WORKMANSHIP STD. 8.4.1.W2



NOTES

1. CHEM FILM PER MIL-DTL-5541 TYPE 1 CLASS 1A YELLOW
2. DIMENSIONS APPLY PRIOR TO PLATING.

PROPRIETARY AND CONFIDENTIAL
 THE INFORMATION CONTAINED IN THIS DRAWING IS THE SOLE PROPERTY OF SEASTROM MANUFACTURING. ANY REPRODUCTION IN PART OR AS A WHOLE WITHOUT THE WRITTEN PERMISSION OF SEASTROM MANUFACTURING IS PROHIBITED.

DIMENSIONS ARE IN INCHES TOLERANCES: FRACTIONAL $\pm 1/32$ ANGULAR: MACH $\pm 1/2$ Deg TWO PLACE DECIMAL $\pm .01$ THREE PLACE DECIMAL $\pm .005$		NAME	DATE	SEASTROM MFG J CLIP
	DRAWN			
	CHECKED			
	ENG APPR.			
	MFG APPR.			
MATERIAL ALUMINUM	Q.A.			SIZE A DWG. NO. 5318-18-1-CF REV. -
FINISH SEE NOTE 1	COMMENTS:		SHEET 1 OF 1	
DRAWING IS NOT TO SCALE				