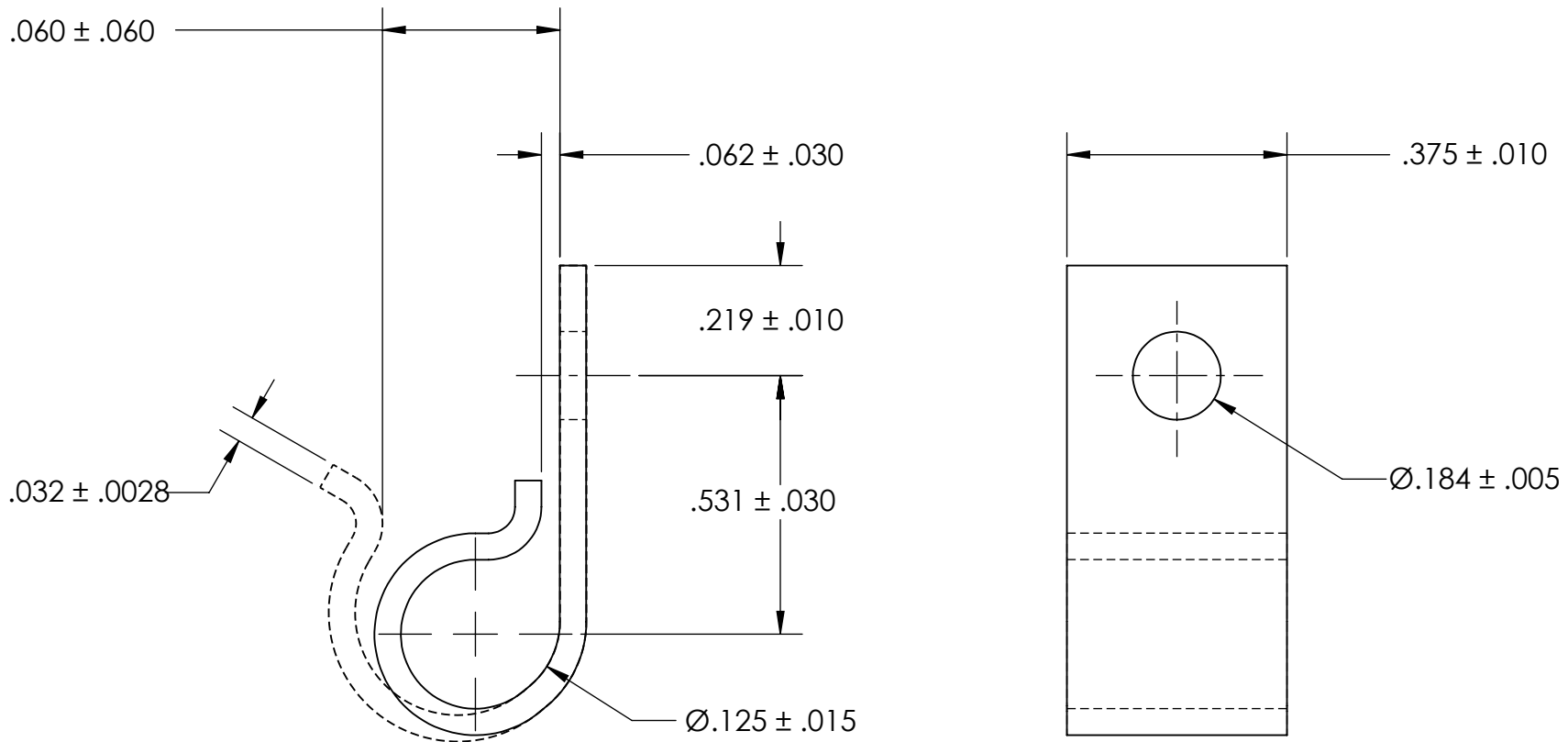


REFERENCE SEASTROM WORKMANSHIP STD. 8.4.1.W2



NOTES

1. ZINC PLATE PER ASTM B633, SC1, TYPE III or V, Clear
2. DIMENSIONS APPLY PRIOR TO PLATING.

PROPRIETARY AND CONFIDENTIAL

THE INFORMATION CONTAINED IN THIS DRAWING IS THE SOLE PROPERTY OF SEASTROM MANUFACTURING. ANY REPRODUCTION IN PART OR AS A WHOLE WITHOUT THE WRITTEN PERMISSION OF SEASTROM MANUFACTURING IS PROHIBITED.

DIMENSIONS ARE IN INCHES TOLERANCES: FRACTIONAL ± 1/32 ANGULAR: MACH ± 1/2 Deg TWO PLACE DECIMAL ± .01 THREE PLACE DECIMAL ± .005		NAME	DATE	SEASTROM MFG J CLIP
	DRAWN			
	CHECKED			
	ENG APPR.			
	MFG APPR.			
MATERIAL COLD ROLLED STEEL	Q.A.			COMMENTS:
FINISH SEE NOTE 1				
DRAWING IS NOT TO SCALE	SIZE A	DWG. NO. 5318-12-2	REV. -	SHEET 1 OF 1