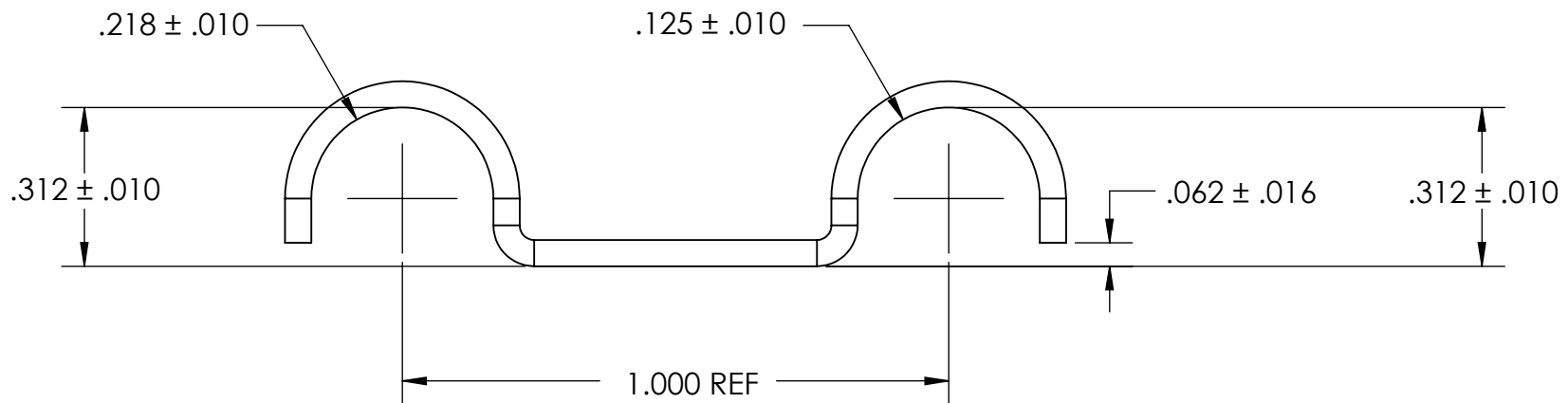


STYLE 1



NOTES
1. NONE

PROPRIETARY AND CONFIDENTIAL

THE INFORMATION CONTAINED IN THIS DRAWING IS THE SOLE PROPERTY OF SEASTROM MANUFACTURING. ANY REPRODUCTION IN PART OR AS A WHOLE WITHOUT THE WRITTEN PERMISSION OF SEASTROM MANUFACTURING IS PROHIBITED.

DIMENSIONS ARE IN INCHES TOLERANCES: FRACTIONAL $\pm 1/32$ ANGULAR: MACH $\pm 1/2$ Deg TWO PLACE DECIMAL $\pm .01$ THREE PLACE DECIMAL $\pm .005$	NAME	DATE	SEASTROM MFG	
	DRAWN			
	CHECKED		CABLE CLAMP	
	ENG APPR.			
	MFG APPR.			
	Q.A.			
COMMENTS:				SIZE A DWG. NO. 5301-6 REV. -
MATERIAL COLD ROLLED STEEL				SHEET 1 OF 1
FINISH SEE NOTE 1				
DRAWING IS NOT TO SCALE				