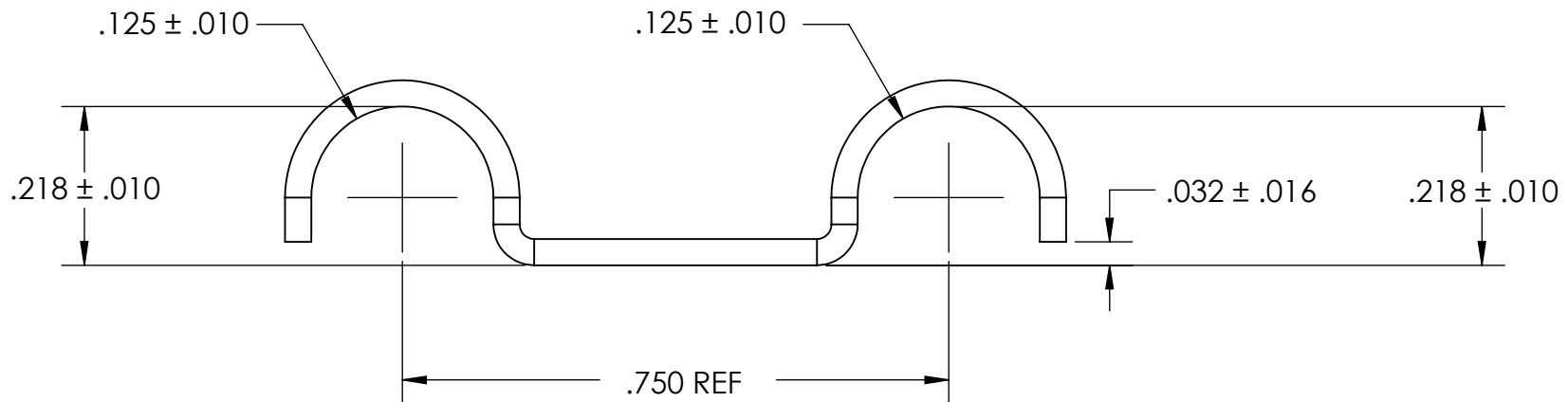


STYLE 1



NOTES
1. NONE

PROPRIETARY AND CONFIDENTIAL
THE INFORMATION CONTAINED IN THIS DRAWING IS THE SOLE PROPERTY OF SEASTROM MANUFACTURING. ANY REPRODUCTION IN PART OR AS A WHOLE WITHOUT THE WRITTEN PERMISSION OF SEASTROM MANUFACTURING IS PROHIBITED.

DIMENSIONS ARE IN INCHES TOLERANCES: FRACTIONAL ± 1/32 ANGULAR: MACH ± 1/2 Deg TWO PLACE DECIMAL ± .01 THREE PLACE DECIMAL ± .005	NAME	DATE	SEASTROM MFG	
	DRAWN			
	CHECKED		CABLE CLAMP	
	ENG APPR.			
	MFG APPR.		Q.A.	
MATERIAL COLD ROLLED STEEL	COMMENTS:		SIZE A	DWG. NO. 5301-1
FINISH SEE NOTE 1			REV. -	
DRAWING IS NOT TO SCALE			SHEET 1 OF 1	