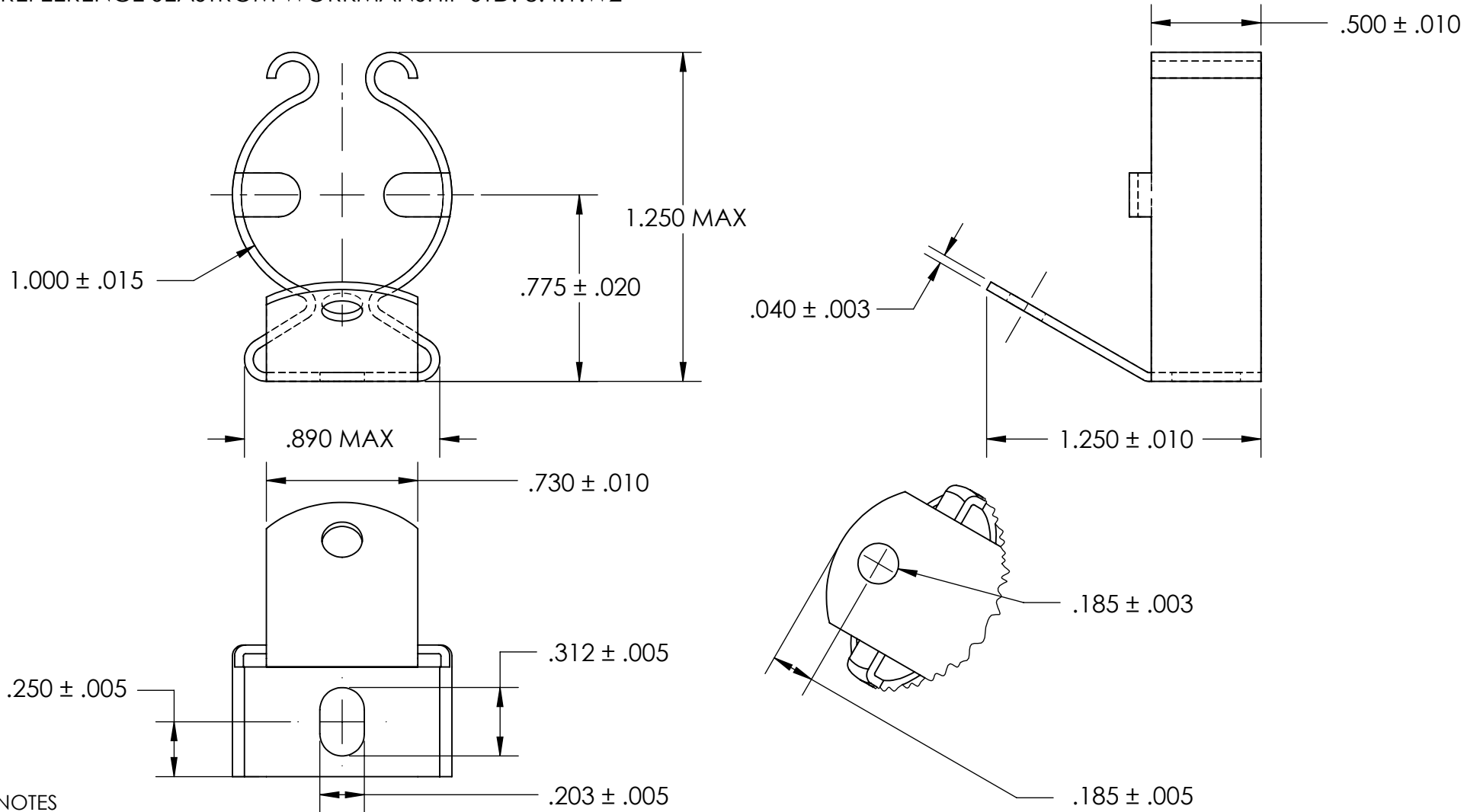


REFERENCE SEASTROM WORKMANSHIP STD. 8.4.1.W2



NOTES

1. BERYLLIUM COPPER, ANNEALED
2. HEAT TREAT: 73-79 HR15N
3. SILVER PLATE PER ASTM B700 TYPE 1 GRADE A CLASS S, 2.5 μ m TH w/NICKEL UNDERPLATE
4. DIMENSIONS ARE TAKEN WITH THE PART CLAMPED TO A FLAT SURFACE AND A DUMMY COMPONENT IN PLACE.
5. DIMENSIONS APPLY PRIOR TO PLATING.

PROPRIETARY AND CONFIDENTIAL
 THE INFORMATION CONTAINED IN THIS DRAWING IS THE SOLE PROPERTY OF SEASTROM MANUFACTURING. ANY REPRODUCTION IN PART OR AS A WHOLE WITHOUT THE WRITTEN PERMISSION OF SEASTROM MANUFACTURING IS PROHIBITED.

DIMENSIONS ARE IN INCHES TOLERANCES: FRACTIONAL $\pm 1/32$ ANGULAR: MACH $\pm 1/2$ Deg TWO PLACE DECIMAL $\pm .01$ THREE PLACE DECIMAL $\pm .005$	NAME	DATE	SEASTROM MFG		
	DRAWN				
	CHECKED		SPRING CLIP		
	ENG APPR.				
	MFG APPR.				
MATERIAL SEE NOTE 1	Q.A.		SIZE A	DWG. NO. 4570-100-124-1-S	REV. -
HEAT TREAT SEE NOTE 2	COMMENTS:		DRAWING IS NOT TO SCALE		
FINISH SEE NOTE 3			SHEET 1 OF 1		