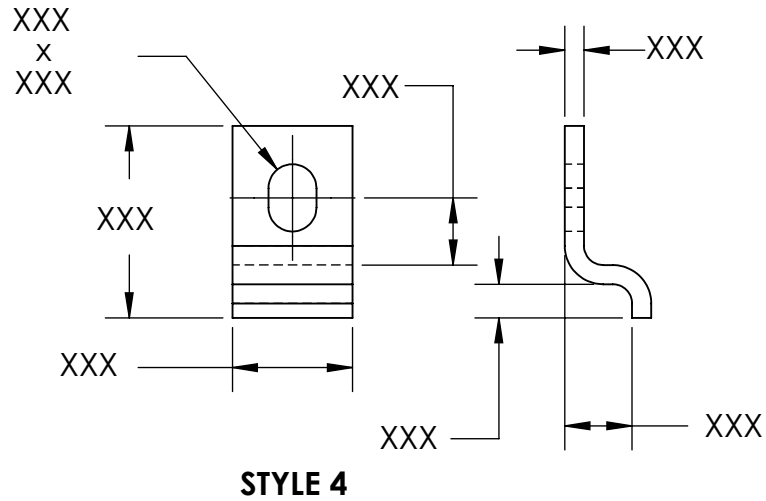


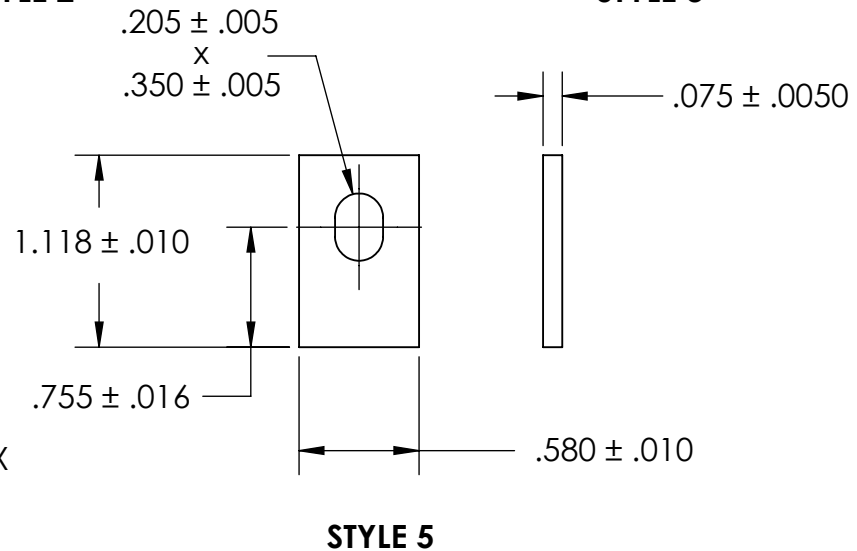
**STYLE 1**

**STYLE 2**

**STYLE 3**



**STYLE 4**



**STYLE 5**

- NOTES**
- CADMIUM PLATE PER AMS QQ-P-416 TYPE I CLASS 2
  - STYLE: 5
  - DIMENSIONS APPLY PRIOR TO PLATING.

**PROPRIETARY AND CONFIDENTIAL**  
 THE INFORMATION CONTAINED IN THIS DRAWING IS THE SOLE PROPERTY OF SEASTROM MANUFACTURING. ANY REPRODUCTION IN PART OR AS A WHOLE WITHOUT THE WRITTEN PERMISSION OF SEASTROM MANUFACTURING IS PROHIBITED.

DIMENSIONS ARE IN INCHES TOLERANCES: FRACTIONAL ± 1/32 ANGULAR: MACH ± 1/2 Deg TWO PLACE DECIMAL ± .01 THREE PLACE DECIMAL ± .005		NAME	DATE	<b>SEASTROM MFG</b>
MATERIAL COLD ROLLED STEEL	FINISH SEE NOTE 1	DRAWN	CHECKED	
DRAWING IS NOT TO SCALE		ENG APPR.	MFG APPR.	SIZE <b>A</b> DWG. NO. <b>2811-32</b> REV. <b>-</b>
		Q.A.	COMMENTS:	SHEET 1 OF 1