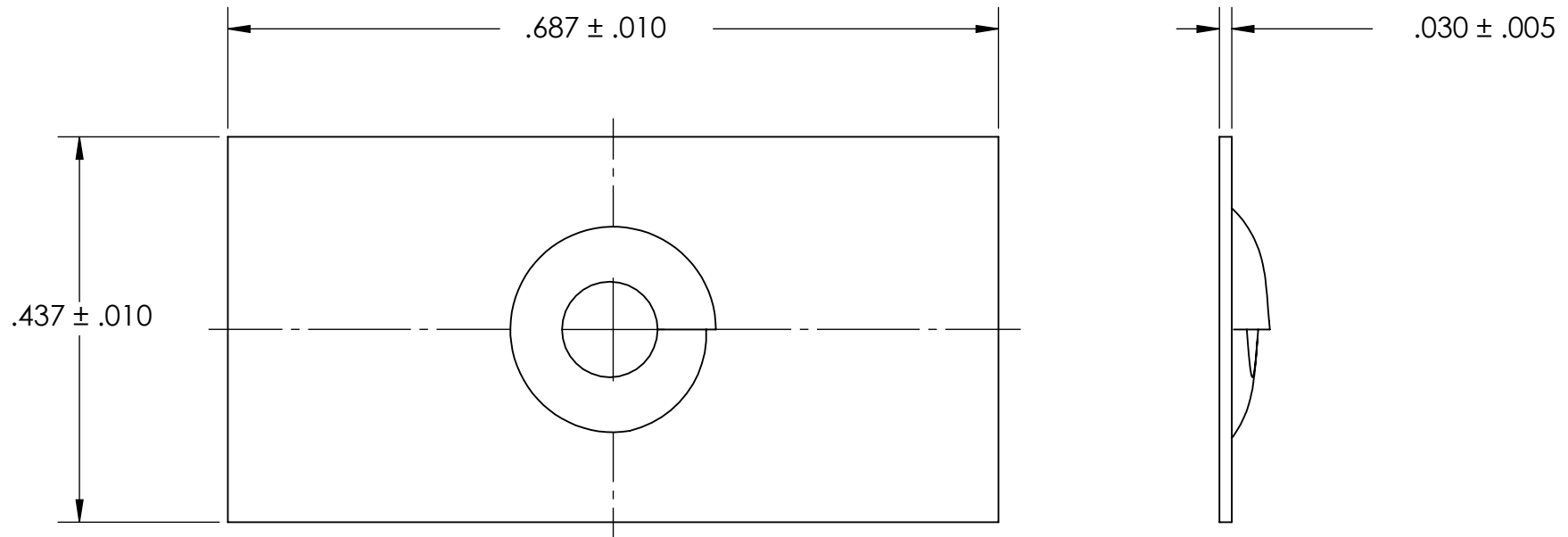


REFERENCE SEASTROM WORKMANSHIP STD. 8.4.1.W2



NOTES

1. NONE
2. SCREW SIZE: 8-15
3. SCREW TYPE: A

**PROPRIETARY AND CONFIDENTIAL**  
 THE INFORMATION CONTAINED IN THIS DRAWING IS THE SOLE PROPERTY OF SEASTROM MANUFACTURING. ANY REPRODUCTION IN PART OR AS A WHOLE WITHOUT THE WRITTEN PERMISSION OF SEASTROM MANUFACTURING IS PROHIBITED.

DIMENSIONS ARE IN INCHES TOLERANCES: FRACTIONAL ± 1/32 ANGULAR: MACH ± 1/2 Deg TWO PLACE DECIMAL ± .01 THREE PLACE DECIMAL ± .005	NAME	DATE	SEASTROM MFG
	DRAWN		
	CHECKED		TAPPED NUT STRIP
	ENG APPR.		
	MFG APPR.		
MATERIAL	COMMENTS:		REV.
COLD ROLLED STEEL			-
FINISH			SIZE
SEE NOTE 1			A
DRAWING IS NOT TO SCALE			DWG. NO.
			2720-2
			SHEET 1 OF 1