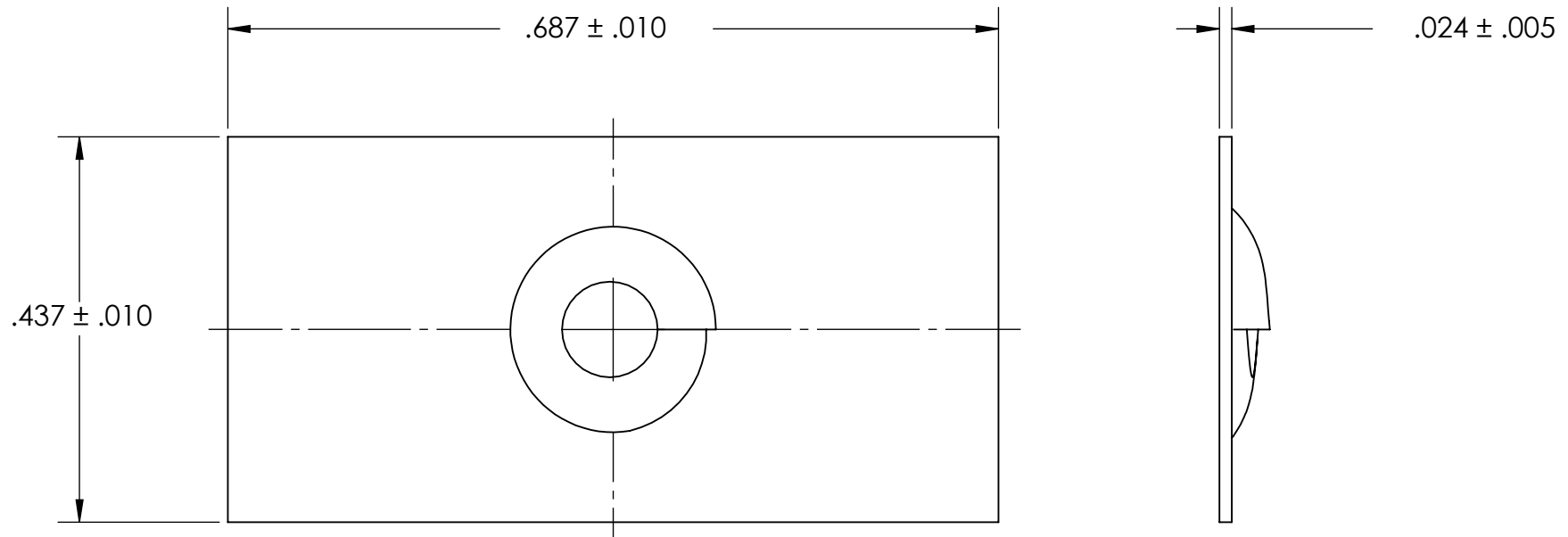


REFERENCE SEASTROM WORKMANSHIP STD. 8.4.1.W2



NOTES

1. CADMIUM PLATE PER AMS QQ-P-416 TYPE I CLASS 2
2. SCREW SIZE: 6-18
3. SCREW TYPE: A
4. DIMENSIONS APPLY PRIOR TO PLATING.

PROPRIETARY AND CONFIDENTIAL
 THE INFORMATION CONTAINED IN THIS DRAWING IS THE SOLE PROPERTY OF SEASTROM MANUFACTURING. ANY REPRODUCTION IN PART OR AS A WHOLE WITHOUT THE WRITTEN PERMISSION OF SEASTROM MANUFACTURING IS PROHIBITED.

DIMENSIONS ARE IN INCHES TOLERANCES: FRACTIONAL $\pm 1/32$ ANGULAR: MACH $\pm 1/2$ Deg TWO PLACE DECIMAL $\pm .01$ THREE PLACE DECIMAL $\pm .005$	NAME	DATE	SEASTROM MFG		
	DRAWN				
	CHECKED		TAPPED NUT STRIP		
	ENG APPR.				
	MFG APPR.				
MATERIAL	Q.A.		SIZE	DWG. NO.	REV.
COLD ROLLED STEEL	COMMENTS:		A	2720-1-C1	-
FINISH					
SEE NOTE 1					
DRAWING IS NOT TO SCALE					SHEET 1 OF 1