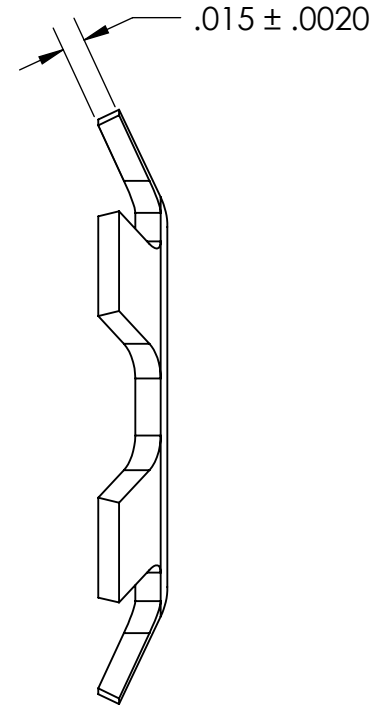
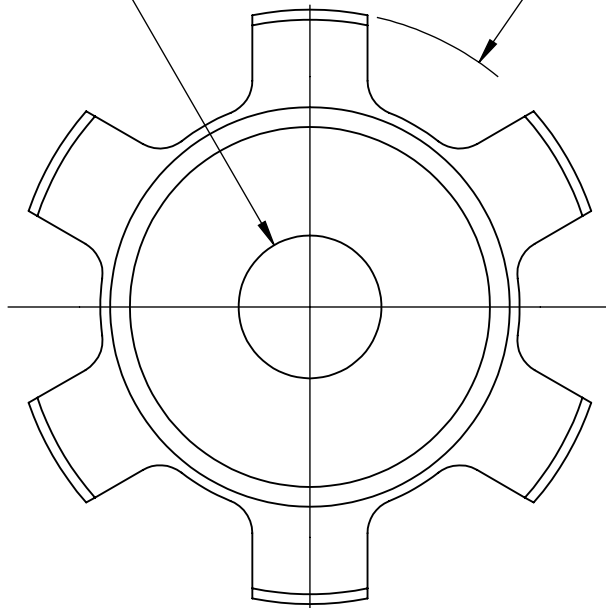


Ø.437 ± .010

Ø.765 ± .005



**NOTES**

1. ZINC PLATE PER ASTM B633, SC1, TYPE III or V, Clear w/Bake
2. HEAT TREAT: 82.5 - 84.5 HR15N
3. No. TABS: 8, EQUALLY SPACED.
4. DESIGN HOLE SIZE: Ø.750 ± .002
5. DIMENSIONS APPLY PRIOR TO PLATING.

**PROPRIETARY AND CONFIDENTIAL**

THE INFORMATION CONTAINED IN THIS DRAWING IS THE SOLE PROPERTY OF SEASTROM MANUFACTURING. ANY REPRODUCTION IN PART OR AS A WHOLE WITHOUT THE WRITTEN PERMISSION OF SEASTROM MANUFACTURING IS PROHIBITED.

DIMENSIONS ARE IN INCHES TOLERANCES: FRACTIONAL ± 1/32 ANGULAR: MACH ± 1/2 Deg TWO PLACE DECIMAL ± .01 THREE PLACE DECIMAL ± .005		NAME	DATE	<b>SEASTROM MFG</b>
MATERIAL HIGH CARBON SPRING STEEL	FINISH SEE NOTE 1	DRAWN	CHECKED	
DRAWING IS NOT TO SCALE		ENG APPR.	MFG APPR.	Q.A.
		COMMENTS:		SIZE <b>A</b> DWG. NO. <b>2715-4</b> REV. <b>-</b>
				SHEET 1 OF 1