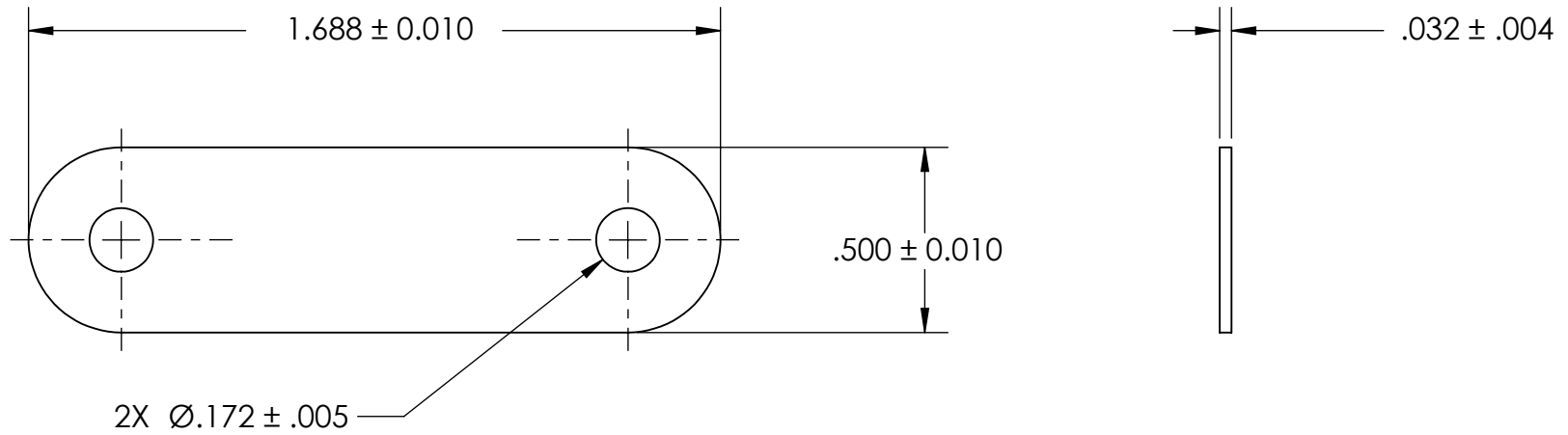


REFEERENCE SEASTROM WORKMANSHIP STD. 8.4.1.W2



NOTES

1. NONE

2. SCREW SIZE: 8

PROPRIETARY AND CONFIDENTIAL
 THE INFORMATION CONTAINED IN THIS DRAWING IS THE SOLE PROPERTY OF SEASTROM MANUFACTURING. ANY REPRODUCTION IN PART OR AS A WHOLE WITHOUT THE WRITTEN PERMISSION OF SEASTROM MANUFACTURING IS PROHIBITED.

DIMENSIONS ARE IN INCHES TOLERANCES: FRACTIONAL $\pm 1/32$ ANGULAR: MACH $\pm 1/2$ Deg TWO PLACE DECIMAL $\pm .01$ THREE PLACE DECIMAL $\pm .005$	NAME	DATE	SEASTROM MFG	
	DRAWN			
	CHECKED		TAGS AND MARKER BANDS	
	ENG APPR.			
	MFG APPR.			
MATERIAL BRASS	Q.A.		SIZE	DWG. NO.
FINISH SEE NOTE 1	COMMENTS:		A	1027
DRAWING IS NOT TO SCALE				REV.
				-
			SHEET 1 OF 1	