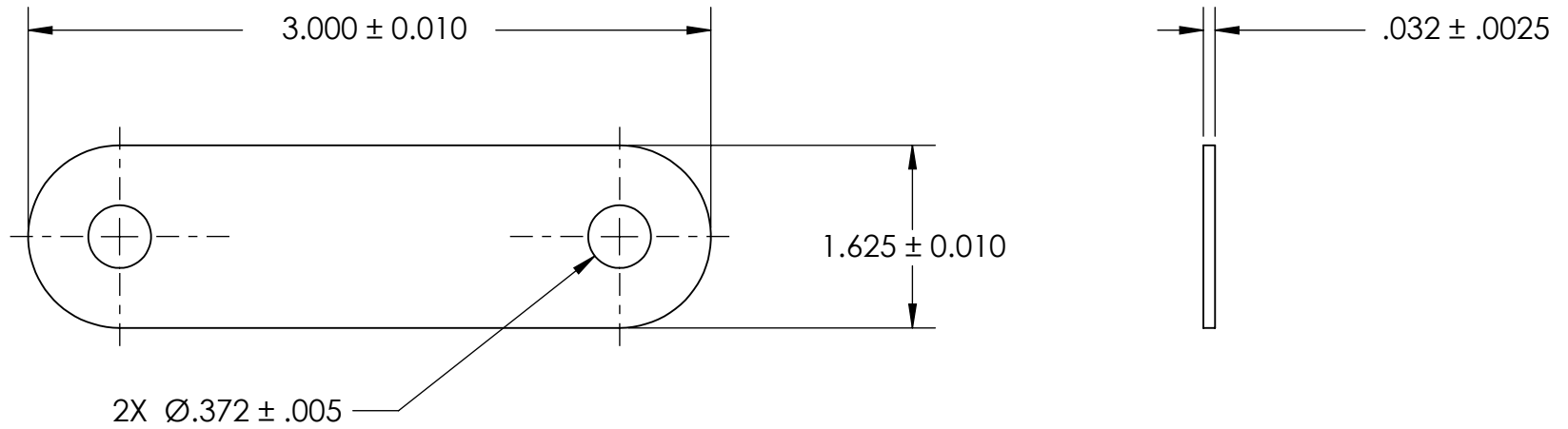


REFEERENCE SEASTROM WORKMANSHIP STD. 8.4.1.W2



NOTES

1. NONE

2. SCREW SIZE: -

PROPRIETARY AND CONFIDENTIAL
 THE INFORMATION CONTAINED IN THIS DRAWING IS THE SOLE PROPERTY OF SEASTROM MANUFACTURING. ANY REPRODUCTION IN PART OR AS A WHOLE WITHOUT THE WRITTEN PERMISSION OF SEASTROM MANUFACTURING IS PROHIBITED.

DIMENSIONS ARE IN INCHES TOLERANCES: FRACTIONAL ± 1/32 ANGULAR: MACH ± 1/2 Deg TWO PLACE DECIMAL ± .01 THREE PLACE DECIMAL ± .005	NAME	DATE	SEASTROM MFG	
	DRAWN			
	CHECKED		TAGS AND MARKER BANDS	
	ENG APPR.			
	MFG APPR.			
MATERIAL	COMMENTS:		SIZE	DWG. NO.
ALUMINUM			A	1027-7
FINISH			REV.	
SEE NOTE 1			-	
DRAWING IS NOT TO SCALE			SHEET 1 OF 1	